

LOAD CHARTS

for Use With

**WRITTEN
EXAMINATIONS**

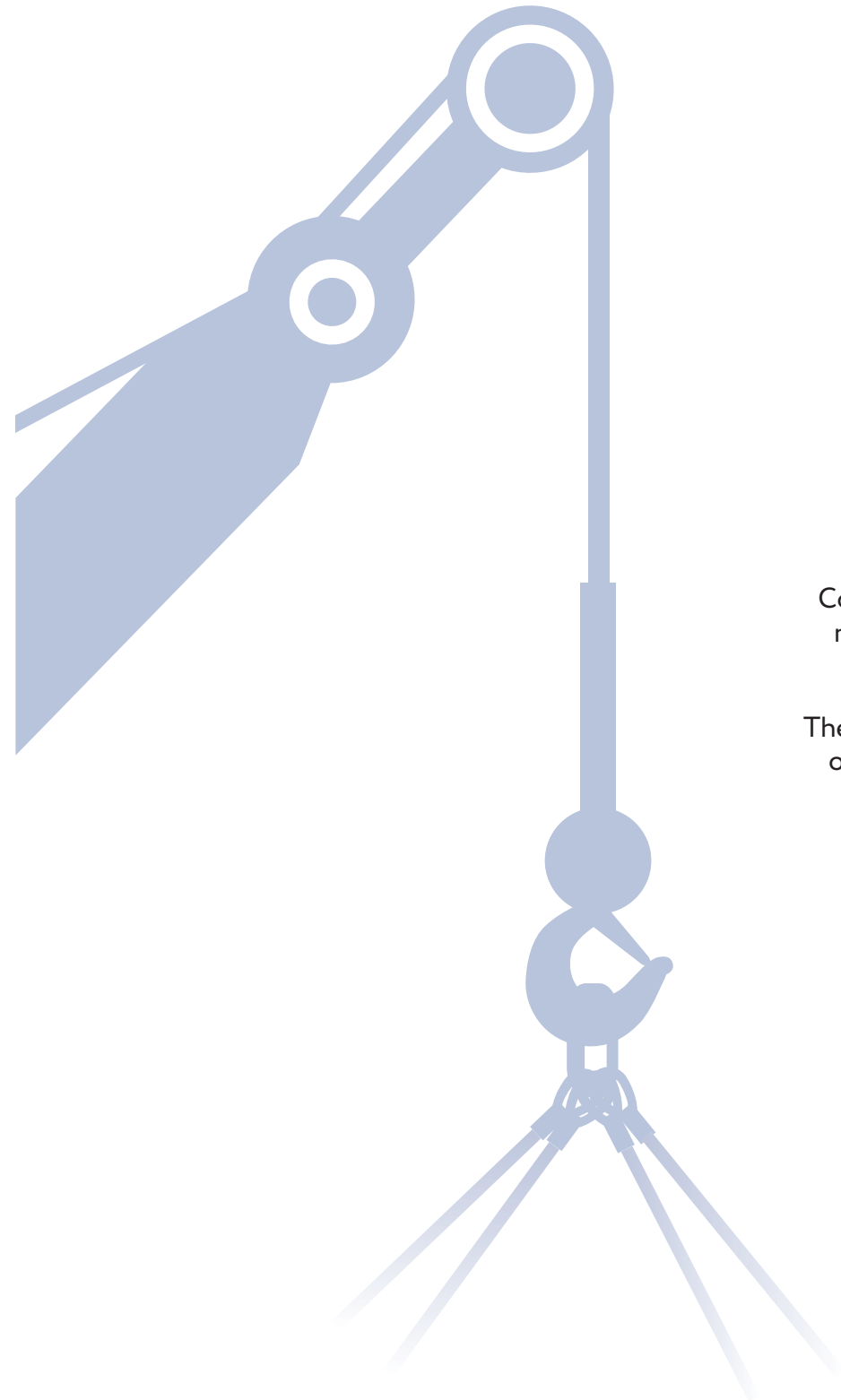
Link-Belt TCC1200

Link-Belt Construction Equipment Company, by providing pages of one of its manuals, is not providing a substitute for training on a Link-Belt crane.

These pages are reproduced for illustration only and not as a substitute for reviewing the entire manual for a particular crane.

Make sure that you are fully trained on, and review the entire manual for, every crane you operate.

This load chart has been adapted from the original manufacturer's load chart for use in the NCCER Mobile Crane Certification Examination. It is not to be used for calculating loads, planning lifts, or for any other purpose.

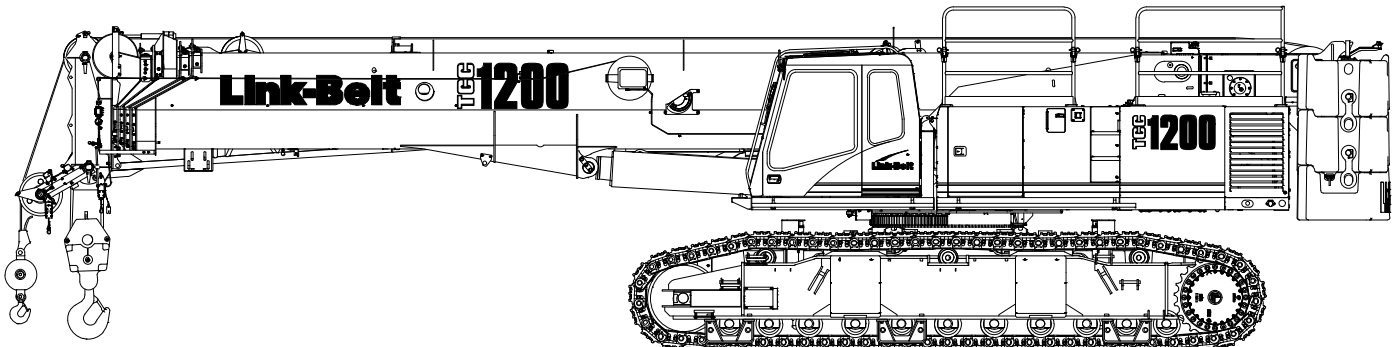


Technical Data

Specifications & Capacities

TCC 1200

Telescopic Crawler Crane
120 Ton (110 metric ton)



CAUTION: This material is supplied for reference use only. Operator must refer to in-cab Crane Rating Manual and Operator's Manual to determine allowable crane lifting capacities and assembly and operating procedures.

Table Of Contents

Upper Structure	1
Frame	1
Engine	1
Hydraulic System	1
Load Hoist Drums	1
Swing System	1
Counterweight	1
Operator's Cab	1
Rated Capacity Limiter System	2
Machinery House	2
Catwalks	2
Optional	2
Lower Structure	2
Carbody	2
Side Frames	2
Travel and Steering	2
Jack System	2
Optional Tool Boxes	2
Boom	3
Design	3
Boom	3
Optional	3
Boom Wear Pads	3
Boom Head	3
Boom Elevation	3
Optional Equipment	3
Auxiliary Lifting Sheave	3
Hook Blocks And Balls	3
Fly & Attachments	3
Work Platform	3
Dimensions	4
Base Crane	4
Side Frames	7
Auxiliary Lifting Sheave	7
Fly	7
Side Frames	7
Counterweights	8
Hook Balls	9
Hook Blocks	9
Working Weights	11
Transport Drawing	11
Load Hoist Performance	11
Working Areas	12
Boom Extend Modes	13

Working Range Diagrams	14
Main Boom	14
150' Main Boom + 10' Fly	15
120' Main Boom + 31–55' Fly	16
150' Main Boom + 31–55' Fly	17
Main Boom Load Charts	18
Main Boom	18
Main Boom + 10 ft Manual Offset Fly (2° Offsets)	19
Main Boom + 10 ft Manual Offset Fly (15° Offsets)	20
Main Boom + 10 ft Manual Offset Fly (30° Offsets)	21
Main Boom + 10 ft Manual Offset Fly (45° Offsets)	22
Jib Attachment Load Charts	23
120 ft Main Boom Length	23
150 ft Main Boom Length	24
Working Range Diagrams – Metric	25
12.19–45.72m Main Boom + 3.1 Fly	25
36.6m Main Boom + 9.4–16.8m Fly	26
45.72m Main Boom + 9.4–16.8m Fly	27
Main Boom Load Charts – Metric	28
Main Boom	28
Main Boom + 3.1m Manual Offset Fly (2° Offsets)	29
Main Boom + 3.1m Manual Offset Fly (15° Offsets)	30
Main Boom + 3.1m Manual Offset Fly (30° Offsets)	31
Main Boom + 3.1m Manual Offset Fly (45° Offsets)	32
Jib Attachment Load Charts – Metric	33
36.6m Main Boom Length	33
45.72m Main Boom Length	34

Upper Structure

Frame

All welded steel frame with precision machined surfaces for mating parts.

Turntable Bearing

- Inner race is bolted to upper frame
- Outer race with external swing gear is bolted to lower frame

Engine

Engine

Full pressure lubrication, oil filter, air cleaner, hour meter, throttle, and electric control shutdown.

Specification	Cummins QSL9	
	Tier 4f/ Stage IV ⁽¹⁾	Tier 3/ Stage IIIA ⁽²⁾
Emissions Compliance Level:		
Numbers of Cylinders	6	6
Cycle	4	4
Bore & Stroke: inch (mm)	4.49 x 5.69 (114 x 145)	4.49 x 5.69 (114 x 145)
Piston Displacement: in ³ (L)	543 (8.90)	543 (8.90)
Max. Brake Horsepower: hp (kW)	320 (239) @ 1,800 rpm	325 (242) @ 1,800 rpm
Peak Torque: ft lb (Nm)	1,050 (1 424) @ 1,500 rpm	1,050 (1 424) @ 1,500 rpm
Electric/starting systems: volts	12/12	12/12
Alternator: amps	160	160
Crankcase Capacity: qt (L)	24 (22.7)	24 (22.7)
<ul style="list-style-type: none"> • Water/fuel separator w/ heater and water in fuel (WIF) sensor • 120-volt block heater • Grid heater — 200 amp • ⁽¹⁾ Can only be sold and/or operated where Tier 4f and Stage IV off-high way emission standards are accepted. • ⁽²⁾ Can only be sold and/or operated where Tier 3 and Stage IIIA off-high way emission standards are accepted. 		

Fuel Tank

One 110 gal (416L) capacity fuel tank.

Hydraulic System

Hydraulic Pumps

The pump arrangement is designed to provide hydraulically powered functions allowing positive, precise control with independent or simultaneous operation of all crane functions.

- Two variable displacement pumps provide independent control for hoist drums, boom hoist, boom extend, and right & left travel.
- Two gear type pumps are used for the swing, counterweight removal, track extend/retract, tilting cab, jacks, operator's controls, and hydraulic oil cooling fan.

Hydraulic Reservoir

250 gal (946L) capacity equipped with sight level gauge. Diffusers built in for deaeration.

Filtration

One 10 micron, full flow return line filter. Accessible for easy filter replacement.

Counterbalance Valves

All hoist motors are equipped with counterbalance valves to provide positive load lowering and prevent accidental load drop if the hydraulic pressure is suddenly lost.

Load Hoist Drums

Main and Optional Auxiliary Winches

- Axial piston, full and half displacement (2-speed) motor driven through planetary reduction unit for positive control under all load conditions.
- Grooved lagging
- Power up/down mode of operation
- Hoist drum cable follower — standard
- Drum rotation indicator
- Drum diameter: 15 in (38.1cm)
- Rope length:
 - Main: 850 ft (259.1m)
 - Auxiliary: 500 ft (152.4m)
- Maximum rope storage: 951 ft (290m)
- Terminator style socket and wedge

Third wrap indicator — optional — Visually and audibly warns the operator when the wire rope is on the first/bottom layer and when the wire rope is down to the last three wraps

Swing System

Dual Swing Drives

Motor/Planetary — Bi-directional hydraulic swing motor mounted to a planetary reducer for 360° continuous smooth swing at 1.6 rpm

Swing Park Brake — 360°, electric over hydraulic, (spring applied/hydraulic released) multi-disc brake mounted on the planetary reducer. Operated by a switch in the operator's cab.

Swing Brake — 360°, foot operated, hydraulic applied disc brake mounted to the planetary reducer

House Lock — Four-position house lock (boom over front, rear or sides) operated from the operator's cab

Counterweight

Consists of a five piece design.

- One "A" counterweight, 19,000 lb (8 618kg)
- One "B" counterweight, 16,000 lb (7 257kg)
- One "C" counterweight, 16,000 lb (7 257kg)
- Two "A" carbody counterweights, 12,500 lb (5 670kg) each

Operator's Cab

Fully enclosed modular steel compartment is independently mounted and padded to protect against vibration and noise. Tilting cab 0–20°

- All tinted/tempered safety glass
- Sliding entry door and front and rear window
- Swing up roof window with windshield wiper
- Door and window locks
- Hot water heater
- Air conditioner
- Sun visor
- Cloth seat
- Circulating fan
- Front windshield and top hatch wipers and washers
- Dry chemical fire extinguisher
- Engine instrumentation panel (tachometer, voltmeter, engine oil pressure, engine water temperature, fuel level, hydraulic oil temperature, hour meter, and service monitor system)
- Amber strobe beacon mounted on top of cab

- Mechanical drum rotation indicators for main (rear) and auxiliary (front) hoist drums
- Six way adjustable seat
- Foot throttle
- Optional Joystick controls
- Fully adjustable single axis controls
- Bubble type level
- Ergonomic gauge layout
- Controls shut off lever
- AM/FM Radio
- Travel levers & pedals
- Monitor for rear view and winch cameras

Rated Capacity Limiter System

Link—Belt Pulse — The Link—Belt in—house designed, total crane operating system that utilizes the display as a readout and operator interface for the following systems:

- Crane configuration
- Boom length
- Boom head height
- Allowed load and % of allowed load
- Data logging
- Boom angle
- Radius of load
- Actual load
- Operator settable alarms (include):
 - Maximum and minimum boom angles
 - Maximum tip height
 - Maximum boom length
 - Swing left/right positions
 - Operator defined area (imaginary plane)
- Optional internal bar graph indicator
- Optional external bar graph indicator

Telematics — Cellular—based data logging and monitoring system that provides:

- Location and operational settings
- Routine maintenance
- Crane and engine monitoring
- Diagnostic and fault codes

Machinery House

Hinged doors (four on right side, one on left side) for machinery access. Upper left side guard rails.

- 360 degree remote controlled high intensity boom floodlight

Catwalks

Standard on right and left sides. Catwalks fold up and pin for reduced travel width.

Optional

- 360 degree rotating beacon to replace amber strobe
- Wireless remote to remotely control crane functions
- Vandal guards — Under design

Lower Structure

Carbody

Lower Frame

All welded box construction frame with precision machined surfaces for turntable bearing and axles beams.

Extendable & retractable axle beam controlled by a hydraulic cylinder mounted inside the beams.

Side Frames

Side Frames

All welded, precision machined, steel frames can be extended and retracted with hydraulic cylinders.

- 15 ft 2.2 in (4.63m) extended gauge
- 12 ft 8.7 in (3.88m) intermediate gauge
- 8 ft 11.6 in (2.73m) retracted gauge
- 23 ft 4.2 in (7.11m) overall length
- 36 in (0.91m) wide track shoes
- Sealed (oil filled) idler and drive planetaries
- 2 speed travel drives
- Hydraulic self adjusting tracks

Track Rollers

- Eleven sealed (oil filled) bottom track rollers per side frame
- Three sealed (oil filled) top track rollers per side frame
- Heat treated, mounted on anti—friction bearings

Tracks

Heat treated, self—cleaning grouser shoes and heat treated track pins. 65 track shoes per side.

- Optional flat or “street” pad

Take Up Idlers

Cast steel, heat treated, self—cleaning, mounted on sealed tapered roller bearings

Travel and Steering

Each side frame contains a pilot controlled, bi—directional, axial piston motor and a planetary gear reduction unit to provide positive control under all load conditions.

- 2—speed travel
- Individual control provides smooth, precise maneuverability including full counter—rotation.

- Spring applied, hydraulically released multiple wet—disc type brake controlled automatically
- Maximum travel speed is 2 mph (3.2km/h)
- Designed to 40% gradeability

Jack System

System contains four hydraulic cylinders individually mounted on swing—out beams.

- Individual jack cylinders are operated by remote control, or can be operated by carbody—mounted controls.
- Minimum height of carbody when resting on pontoons is 14.7 in (37.4cm).
- Maximum height of carbody with jack fully extended is 45.2 in (114.8cm).

Optional Tool Boxes

Two heavy duty steel design tool boxes that bolt onto the carbody counterweights.

Boom

Design

Five section, formed construction of extra high tensile steel consisting of one base section and four telescoping sections. Two plate design of each section has multiple longitudinal bends for superior strength. The first telescoping section extends independently by means of one double-acting, single stage hydraulic cylinder with integrated holding valves. The second telescoping section extends independently by means of one double-acting, single stage hydraulic cylinder with integrated holding valves. The third and fourth telescoping sections extend proportionally by means of one double-acting, single stage cylinder with integrated holding valves and cables.

Boom

- 40–150 ft (12.2–45.7m) five section full power boom
- Three boom extend modes, controlled from the operator's cab, provide superior capacities by varying the extension of the telescoping sections:
 - **Standard mode** is the full power, synchronized mode of telescoping all sections proportionally
 - **A-max¹** mode (or mode 'A1') extends only the inner and center sections to 95 ft (29m) offering increased capacities for in-close, maximum capacity picks
 - **A-max²** mode (or mode 'A2') tip, outer and center sections extend to 122.5 ft (37.34m) offering maximum stability
- Mechanical boom angle indicator
- Maximum tip height for each extend mode is:
 - Standard is 159 ft 6 in (48.6m)
 - A-max² is 132 ft 6 in (40.3m)
 - A-max¹ is 105 ft 6 in (32.1m)
- 360 remote controlled high intensity boom floodlight mounted on boom base section

Boom Wear Pads

- Wear pads with Teflon inserts that self-lubricate the boom sections
- Top and bottom wear pads are universal for all boom sections

Boom Head

- Six 16.5 in (41.9cm) root diameter nylon sheaves to handle up to 12 parts of line
- Easily removable wire rope guards
- Rope dead end lugs on each side of the boom head
- Boom head is designed for quick-reeve of the hook block

Boom Elevation

- One double acting hydraulic cylinder with integral holding valve
- Boom elevation: –2.5° to 80°

Optional Equipment

Auxiliary Lifting Sheave

- Single 16.5 in (41.9m) root diameter nylon sheave
- Easily removable wire rope guard
- Does not affect erection of the fly or use of the main head sheaves

Hook Blocks And Balls

- 35 ton (31.8mt) 1 sheave quick-reeve hook block with safety latch
- 50 ton (45.4mt) 4 sheave quick-reeve hook block with safety latch
- 80 ton (72.6mt) 5 sheave quick-reeve hook block with safety latch
- 100 ton (90.7mt) 6 sheave quick-reeve hook block with safety latch
- 140 ton (127mt) 7 sheave quick-reeve hook block with safety latch
- 12 ton (10.9mt) swivel and non-swivel hook balls with safety latch

Fly & Attachments

- 31 ft (9.4m) lattice fly, stowable, offsettable to 2°, 15°, 30°, and 45°. Maximum tip height is 187 ft (57m).
- 31–55 ft (9.4–16.7m) two piece bi-fold lattice fly, stowable, offsettable to 2°, 15°, 30°, and 45°. Maximum tip height is 211 ft (64.3m).
- 10 ft (3.0m) lattice fly, stowable, offsettable to 2°, 15°, 30°, and 45°. Maximum tip height is 166 ft (50.6m).
- 10–31 ft two piece lattice fly, stowable, offsettable to 2°, 15°, 30°, and 45°. Maximum tip height is 187 ft (57m).
- 10–31–55 ft three piece bi-fold lattice fly, stowable, offsettable to 2°, 15°, 30°, and 45°. Maximum tip height is 211 ft (64.3m).

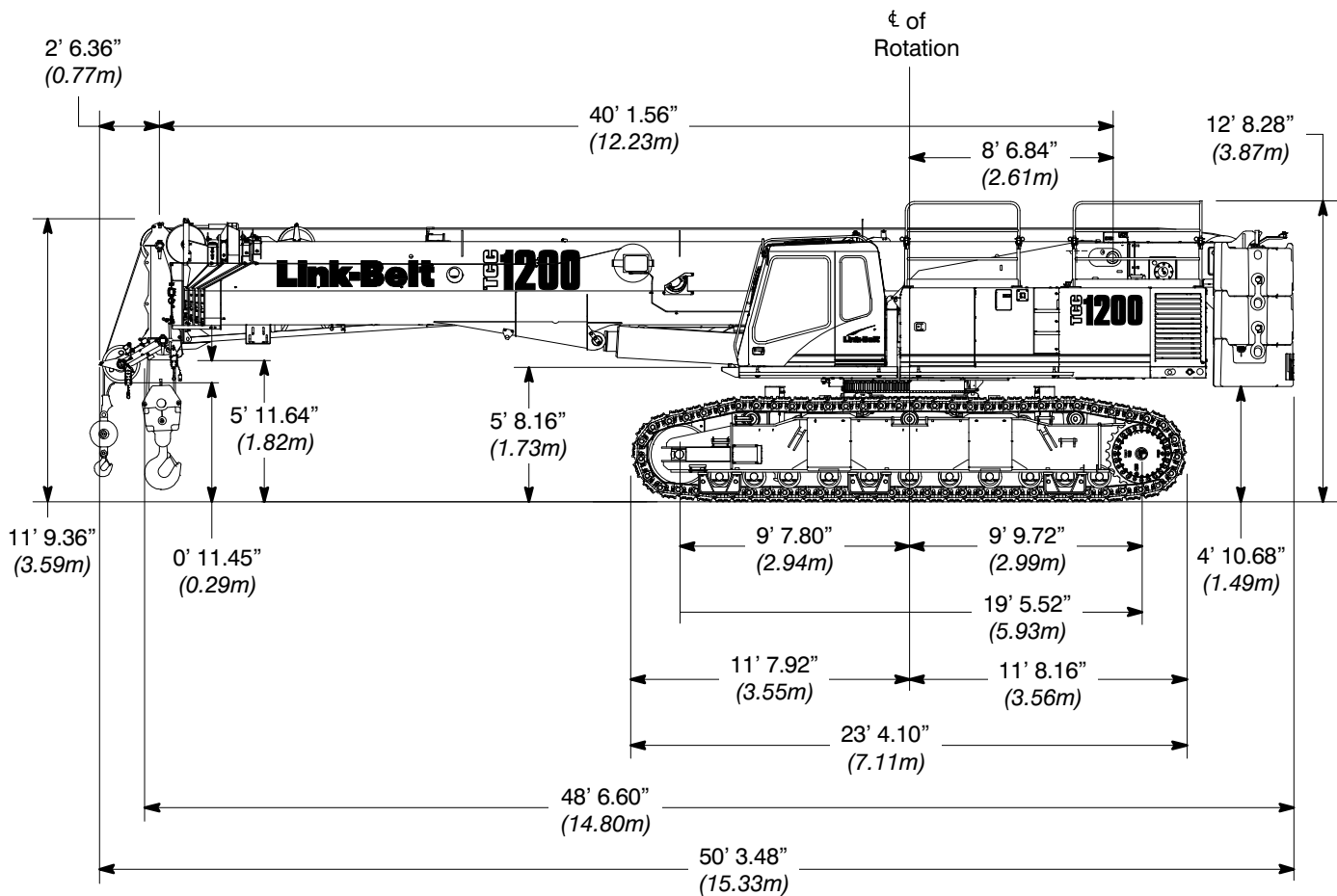
Work Platform

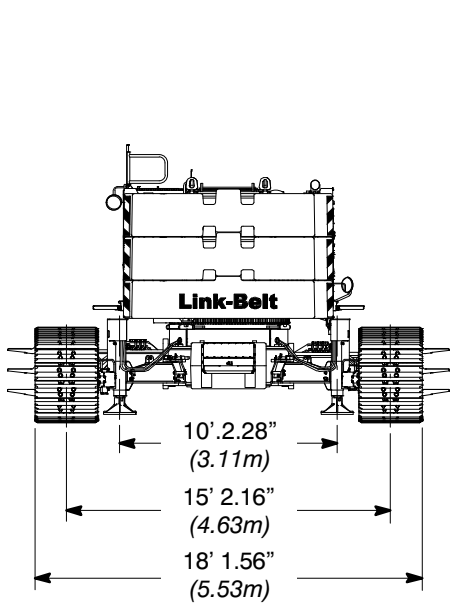
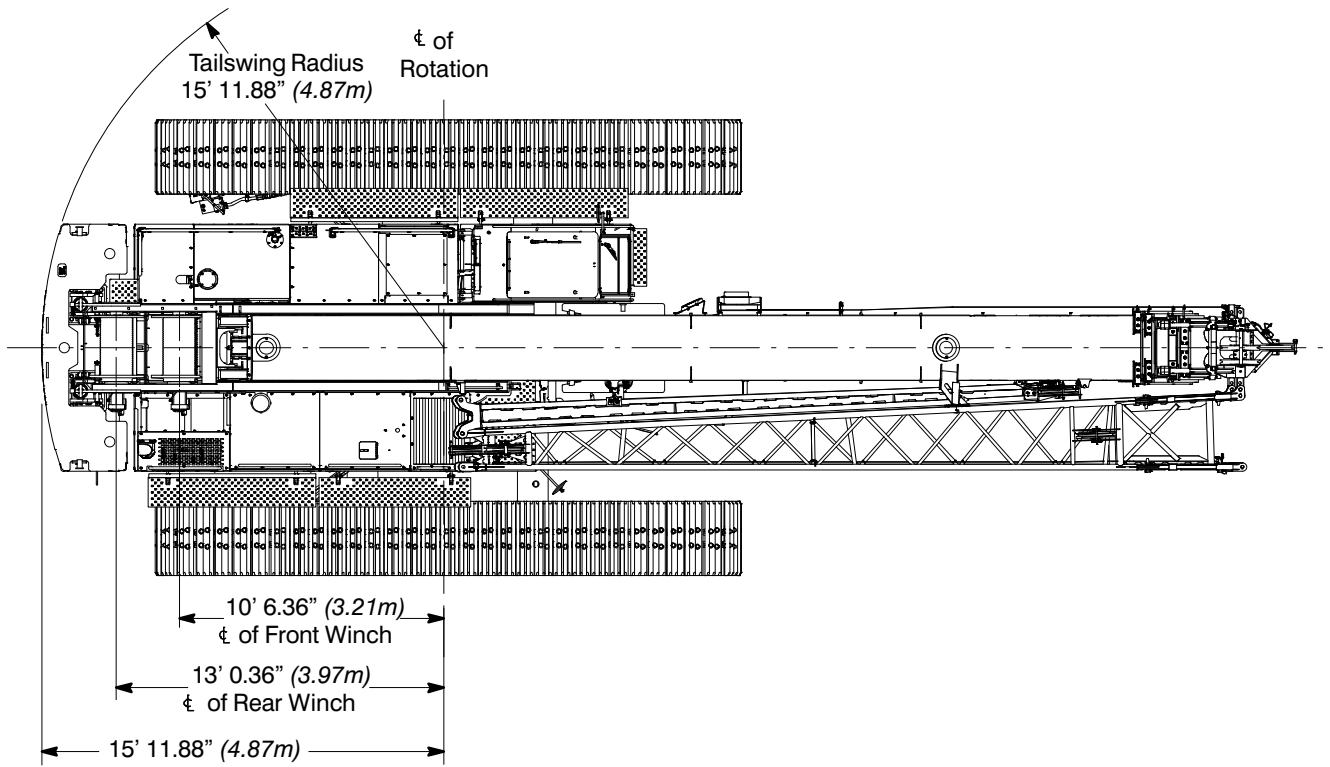
- Boom mounted work platform under design.

Dimensions

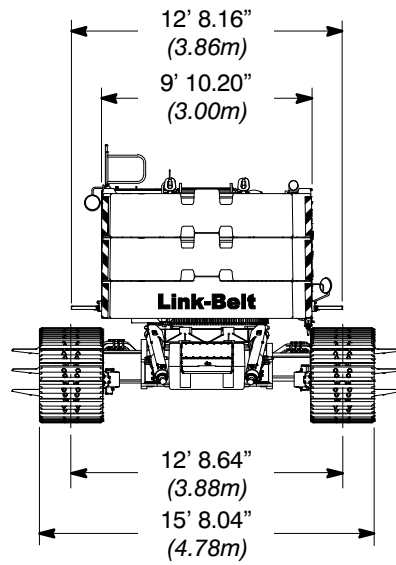
Base Crane

General Dimensions	English	Metric
Basic Boom	40–150 ft	12.2–45.7m
Minimum Load Radius	10 ft	3.05m
Maximum Boom Angle	80°	80°
Track Shoe Width	36 in	0.91m

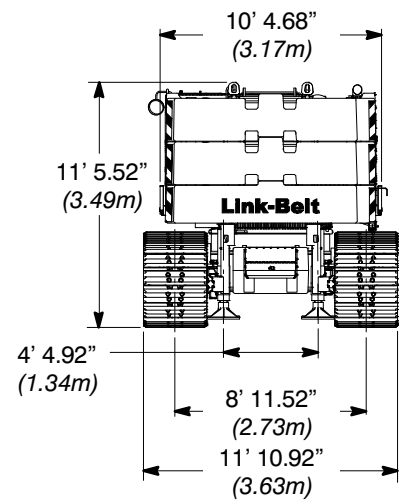




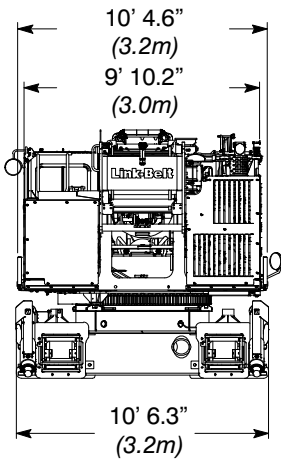
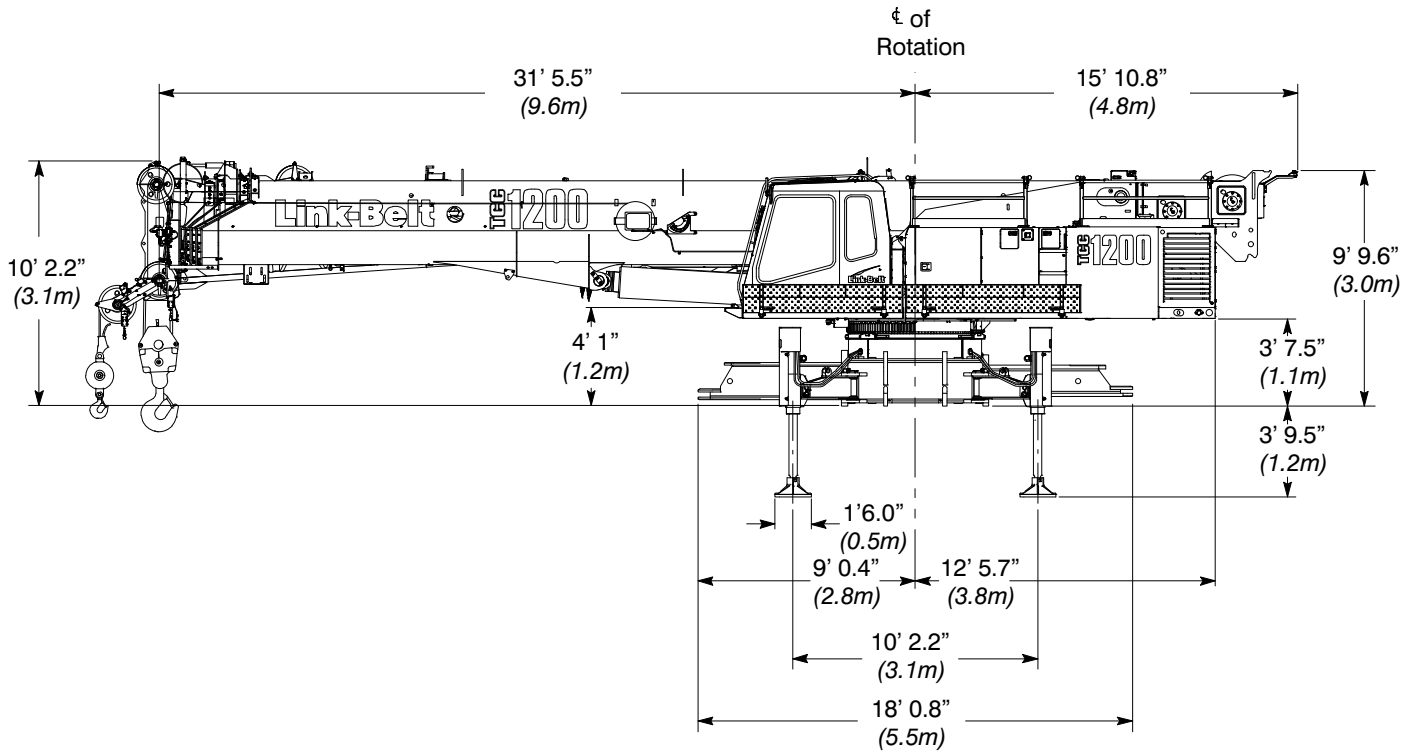
Extended Gauge



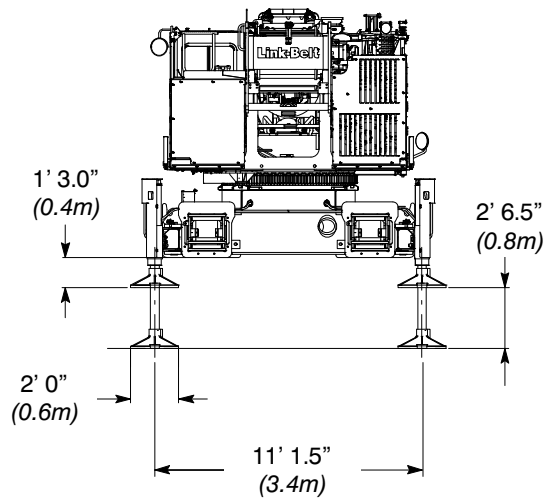
Intermediate Gauge



Retracted Gauge



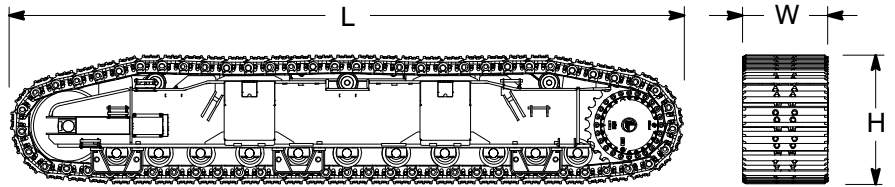
Jacks In Transport Position
Side Frames Removed
Upper Counterweight Removed
Lower Counterweight Removed



Side Frames

Side Frames 2

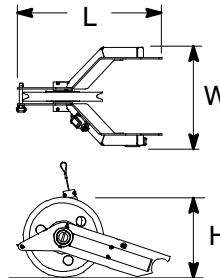
Length	280.06 in	(7.11m)
Width	35.43 in	(0.90m)
Height	53.50 in	(1.36m)
Weight	28,750 lb	(13 041kg)



Auxiliary Lifting Sheave

Auxiliary Lifting Sheave 1

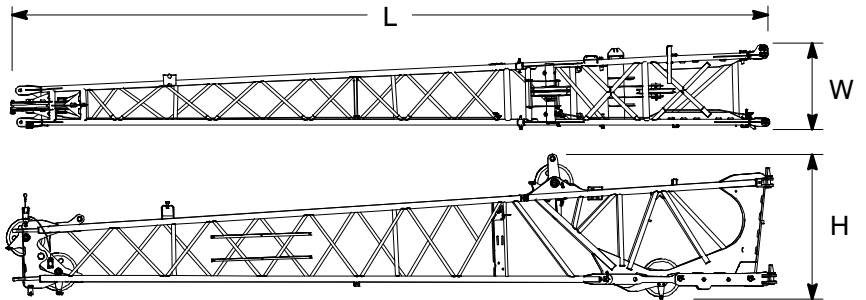
Length	11.28 in	(0.29m)
Width	5.59 in	(0.14m)
Height	4.75 in	(0.12m)
Weight	120 lb	(54kg)



Fly

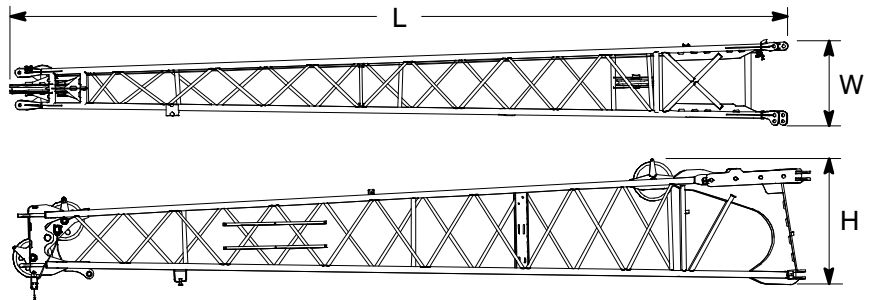
31 ft (9.4m) two Piece Lattice Fly (Optional Base) 1

Length	31 ft	(9.45m)
Width	42.34 in	(1.08m)
Height	6' 0.48 in	(1.84m)
Weight	2,667 lb	(1 210kg)



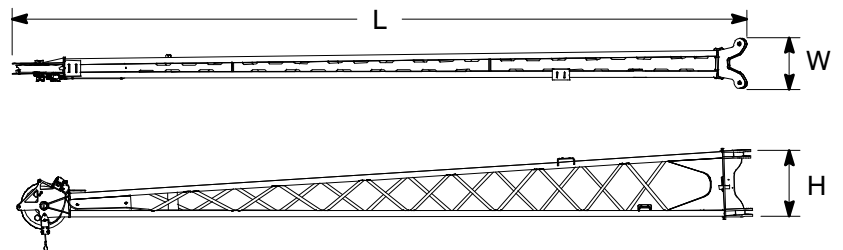
31 ft (9.4m) One Piece Lattice Fly (Base Fly) 1

Length	31 ft	(9.45m)
Width	32.75 in	(0.83m)
Height	43.85 in	(1.11m)
Weight	1,999 lb	(907kg)



24 ft (7.3m) Lattice Fly Tip (Addition To Base Fly For 31–55 ft (9.4–16.7m) Bi-fold Fly) 1

Length	24 ft	(7.32m)
Width	16.63 in	(0.42m)
Height	24.52 in	(0.62m)
Weight	810 lb	(367kg)



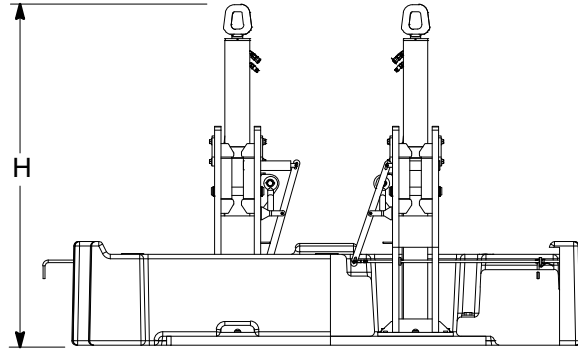
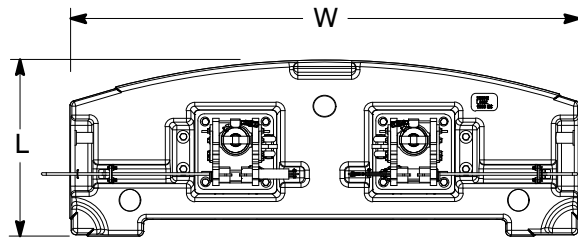
Number inside black circle "1" = # of components

* — Optional equipment

Counterweights

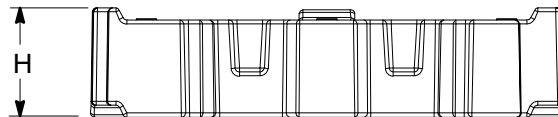
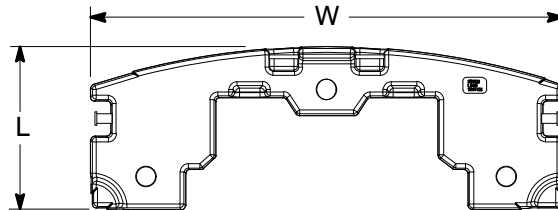
“A” Counterweight ①

Length	40.64 in	(1.03m)
Width	9 ft 10 in	(3.00m)
Height	6 ft 7.0 in	(2.00m)
Weight	19,000 lb	(8 618kg)



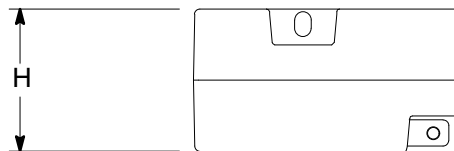
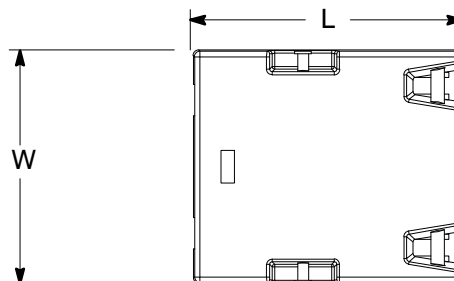
“B” & “C” Counterweights ②

Length	40.7 in	(1.03m)
Width	9 ft 10 in	(3.00m)
Height	27.20 in	(0.69m)
Weight	16,000 lb	(7 257kg)



“A” Carbody Counterweights ②

Length	49.0 in	(1.24m)
Width	42.5 in	(1.08m)
Height	26.0 in	(0.66m)
Weight	12,500 lb	(5 670kg)

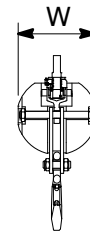
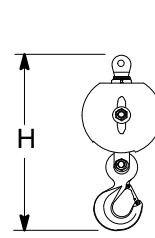


Number inside black circle “①” = # of components
 * – Optional equipment

Hook Balls

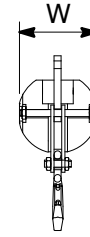
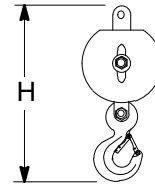
12 Ton (10.9mt) Swivel Hook Ball* ①

Width	17.93 in	(0.46m)
Height	36.26 in	(0.92m)
Weight	722 lb	(327kg)



12 Ton (10.9mt) Non-Swivel Hook Ball* ①

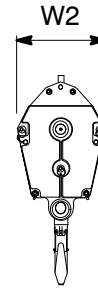
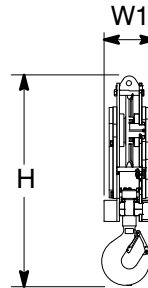
Width	17.93 in	(0.46m)
Height	36.26 in	(0.92m)
Weight	722 lb	(327kg)



Hook Blocks

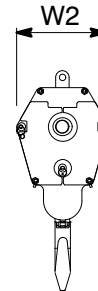
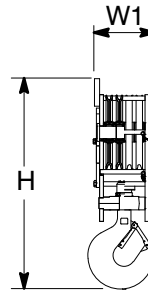
35 Ton (31.8mt) 1–Sheave Hook Block* ①

Width1	11.19 in	(0.28m)
Width2	23.88 in	(0.61m)
Height	57.31 in	(1.46m)
Weight	1,100 lb	(499kg)



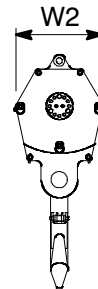
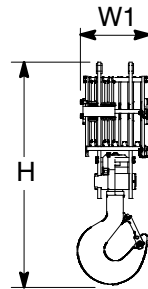
50 Ton (45.4mt) 4–Sheave Hook Block* ①

Width1	15.81 in	(0.40m)
Width2	24 in	(0.61m)
Height	57.35 in	(1.46m)
Weight	1,195 lb	(542kg)



80 Ton (72.6mt) 5–Sheave Hook Block* ①

Width1	20 in	(0.51m)
Width2	24 in	(0.61m)
Height	64.56 in	(1.64m)
Weight	1,411 lb	(640kg)



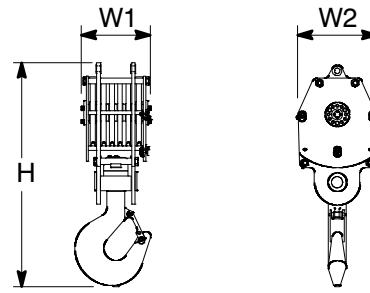
Number inside black circle “①” = # of components

* – Optional equipment

100 Ton (90.7mt)

6–Sheave Hook Block* ①

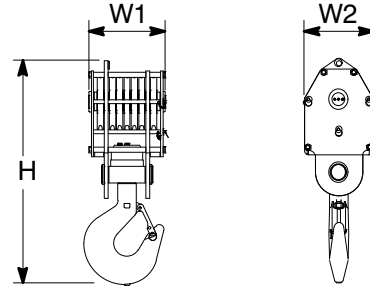
Width1	20.94 in	(0.53m)
Width2	24 in	(0.61m)
Height	67.61 in	(1.72m)
Weight	1,750 lb	(794kg)



140 Ton (127.0mt)

7–Sheave Hook Block* ①

Width1	23.10 in	(0.54m)
Width2	22.25 in	(0.57m)
Height	72.28 in	(1.84m)
Weight	2,394 lb	(1 086kg)



Number inside black circle “①” = # of components

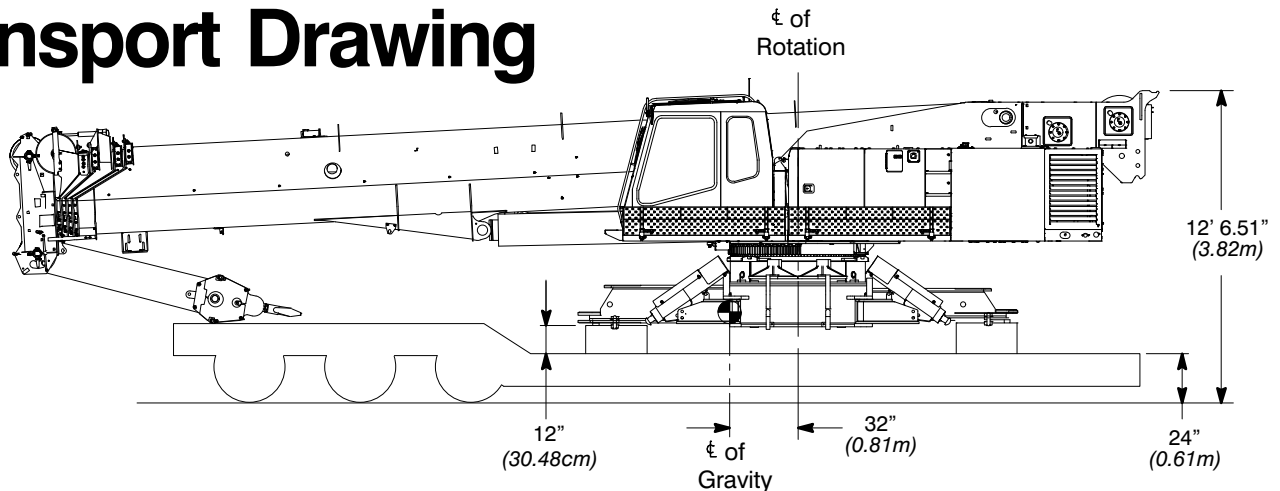
* – Optional equipment

Working Weights

Option	Description	Gross Weight lb (kg)	Ground Bearing Pressure (on soft ground) psi (kg/cm ²)
1	Base crane, "ABC" counterweight, 2 piece carbody counterweight, 850 ft (259.0m) type "KC" main wire rope, 500 ft (152.4m) type "KC" auxiliary wire rope, 2-piece fly, 80 ton (72.6mt) 5 sheave hook block, and 12 ton (10.89mt) hook ball. and a 200 lb (90.7kg) operator.	223,000 (101 151kg)	13.26 (0.93)

Notes: Ground bearing pressure is based on the total weight distributed evenly over the track contact area.

Transport Drawing



Transport Weight — 89,000 lb (40 370kg)

Base crane, 850 ft (259.08m) type "KC" main wire rope, 500 ft (152.40m) type "KC" auxiliary wire rope, 2-piece fly, 80 ton (72.6mt) 5 sheave hook block, and 12 ton (10.89mt) hook ball

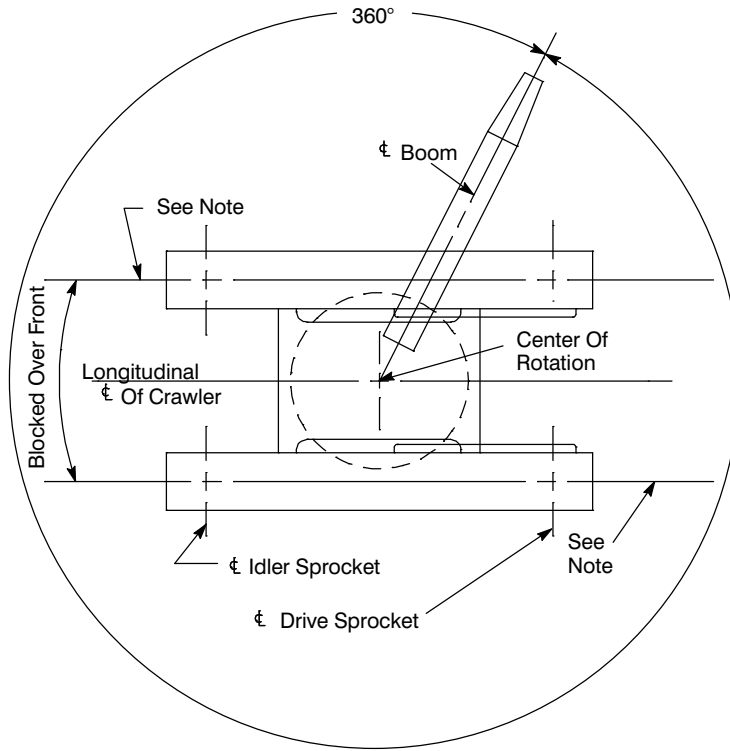
Load Hoist Performance

Main (Rear) and Auxiliary (Front) Winches — 7/8 in (22mm) Rope

Layer	Maximum Line Pull		Normal Line Speed		High Line Speed		Layer		Total	
	lb	kg	ft/min	m/min	ft/min	m/min	ft	m	ft	m
1	22,380	10 151	174	53.0	348	106.1	125	38.1	125	38.1
2	20,194	9 160	193	58.8	386	117.7	138	42.0	263	80.2
3	18,397	8 345	211	64.3	423	128.9	152	46.3	415	126.5
4	16,893	7 662	230	70.1	461	140.5	165	50.3	580	179.2
5	15,617	7 084	249	75.9	499	152.1	179	54.6	759	231.3
6	14,520	6 586	268	81.7	537	163.7	192	58.5	951	289.9

Wire Rope Application		Diameter		Type	Maximum Permissible Load	
		in	mm		lb	kg
Main (Rear) Winch	Standard	7/8	22	37x7 rotation resistant — non-rotating, galvanized, right lang lay (Type KC)	21,625	9 809
	Optional	7/8	22	36x7 rotation resistant — right regular lay or right lang lay (Type ZB)	20,920	9 489.2
Auxiliary (Front) Winch	Standard	7/8	22	37x7 rotation resistant — non-rotating, galvanized, right lang lay (Type KC)	21,625	9 809
	Optional	7/8	22	36x7 rotation resistant — right regular lay or right lang lay (Type ZB)	20,920	9 489.2

Working Areas

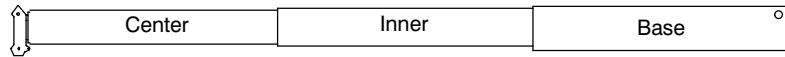


Note: These Lines Determine The Limiting Position Of Any Load For Operation Within Working Areas Indicated.

Boom Extend Modes

Boom Mode “Amax¹”

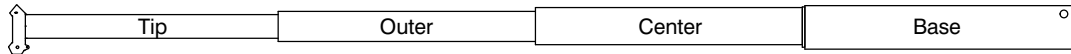
Inner and center sections telescope simultaneously



Telescope Length – ft (m)		Boom Length – ft (m)
0 (0)	0 (0)	40 (12.2)
5.0 (1.5)	5.0 (1.5)	50 (15.2)
10.0 (3.0)	10.0 (3.0)	60 (18.3)
15.0 (4.6)	15.0 (4.6)	70 (21.3)
20.0 (6.1)	20.0 (6.1)	80 (24.4)
25.0 (7.6)	25.0 (7.6)	90 (27.4)
27.5 (8.4)	27.5 (8.4)	95 (29.0)

Boom Mode “Amax²”

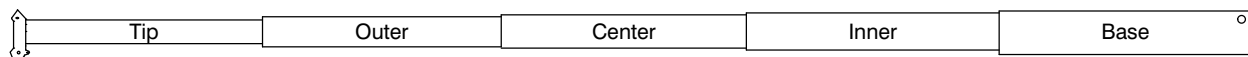
Center, outer, and tip sections telescope simultaneously



Telescope Length – ft (m)			Boom Length – ft (m)
0 (0)	0 (0)	0 (0)	40 (12.2)
3.33 (1.0)	3.33 (1.0)	3.33 (1.0)	50 (15.2)
6.66 (2.0)	6.66 (2.0)	6.66 (2.0)	60 (18.3)
10.00 (3.0)	10.00 (3.0)	10.00 (3.0)	70 (21.3)
13.33 (4.1)	13.33 (4.1)	13.33 (4.1)	80 (24.4)
16.66 (5.1)	16.66 (5.1)	16.66 (5.1)	90 (27.4)
20.00 (6.1)	20.00 (6.1)	20.00 (6.1)	100 (30.5)
23.33 (7.1)	23.33 (7.1)	23.33 (7.1)	110 (33.5)
27.50 (8.4)	27.50 (8.4)	27.50 (8.4)	122.5 (37.3)

Boom Mode “Standard”

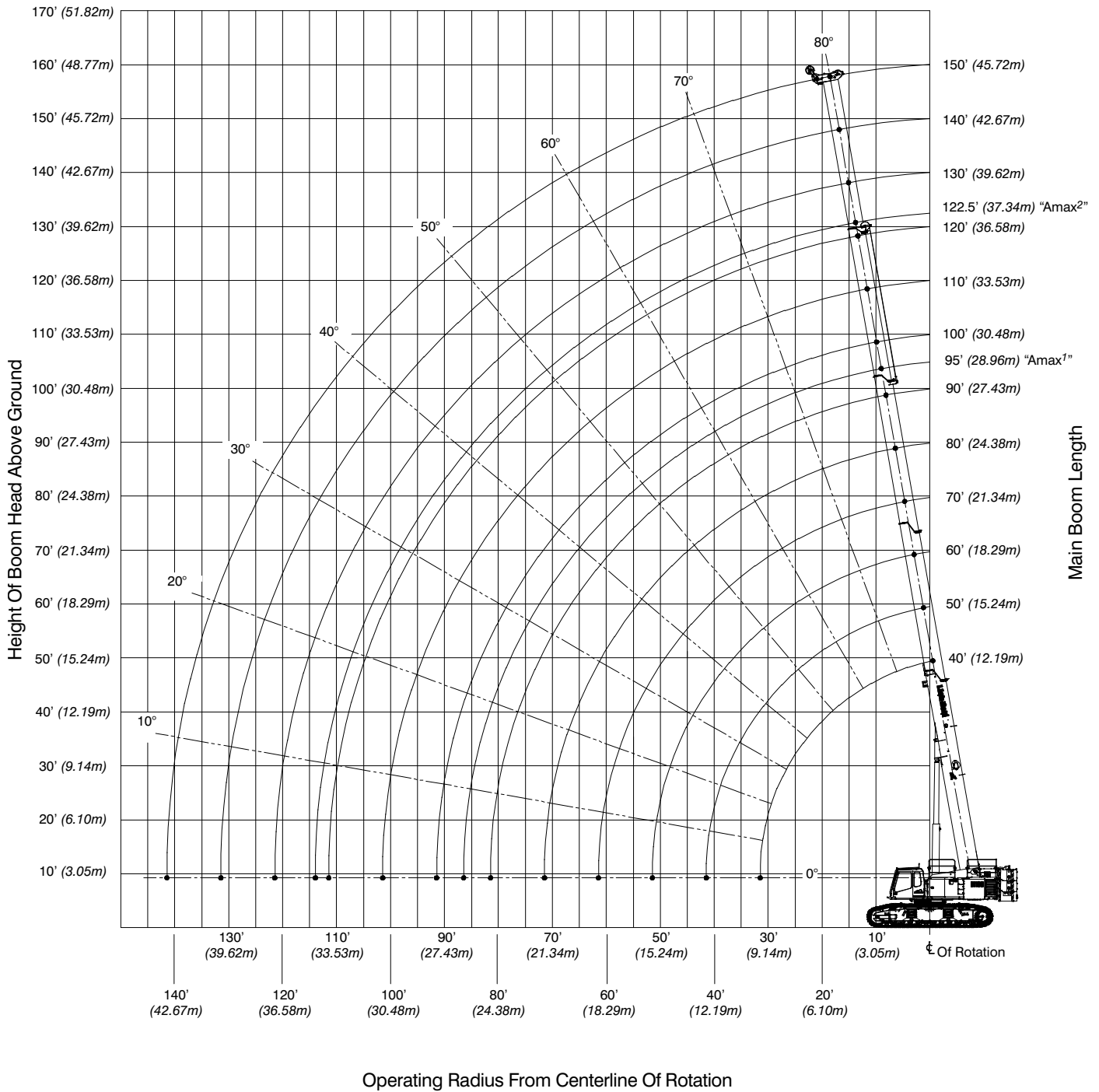
Inner, center, outer, and tip sections telescope simultaneously



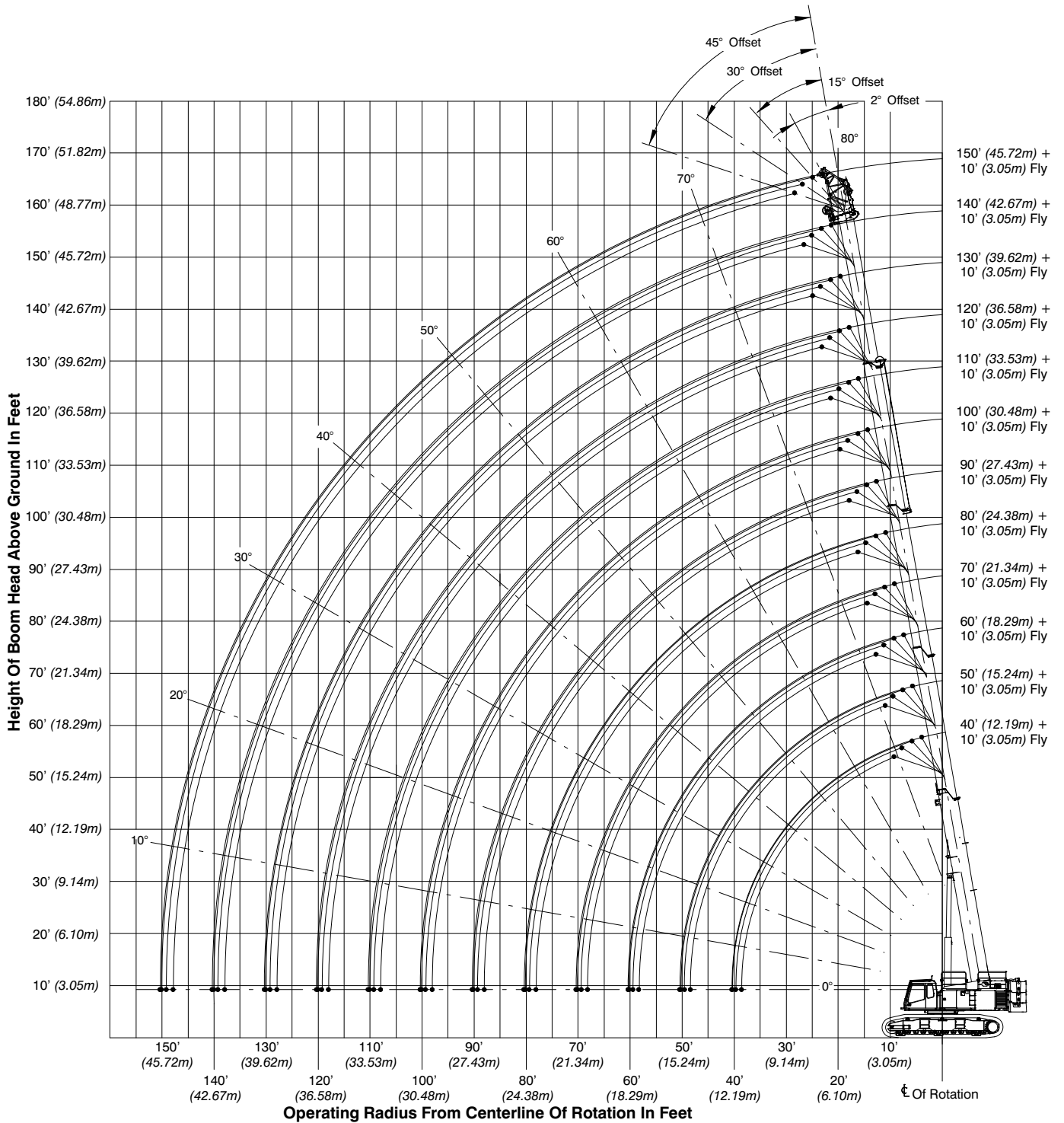
Telescope Length – ft (m)				Boom Length – ft (m)
0 (0)	0 (0)	0 (0)	0 (0)	40 (12.2)
2.5 (0.8)	2.5 (0.8)	2.5 (0.8)	2.5 (0.8)	50 (15.2)
5.0 (1.5)	5.0 (1.5)	5.0 (1.5)	5.0 (1.5)	60 (18.3)
7.5 (2.3)	7.5 (2.3)	7.5 (2.3)	7.5 (2.3)	70 (21.3)
10.0 (3.0)	10.0 (3.0)	10.0 (3.0)	10.0 (3.0)	80 (24.4)
12.5 (3.8)	12.5 (3.8)	12.5 (3.8)	12.5 (3.8)	90 (27.4)
15.0 (4.6)	15.0 (4.6)	15.0 (4.6)	15.0 (4.6)	100 (30.5)
17.5 (5.3)	17.5 (5.3)	17.5 (5.3)	17.5 (5.3)	110 (33.5)
20.0 (6.1)	20.0 (6.1)	20.0 (6.1)	20.0 (6.1)	120 (36.6)
22.5 (6.9)	22.5 (6.9)	22.5 (6.9)	22.5 (6.9)	130 (39.6)
25.0 (7.6)	25.0 (7.6)	25.0 (7.6)	25.0 (7.6)	140 (42.7)
27.5 (8.4)	27.5 (8.4)	27.5 (8.4)	27.5 (8.4)	150 (45.7)

Working Range Diagrams

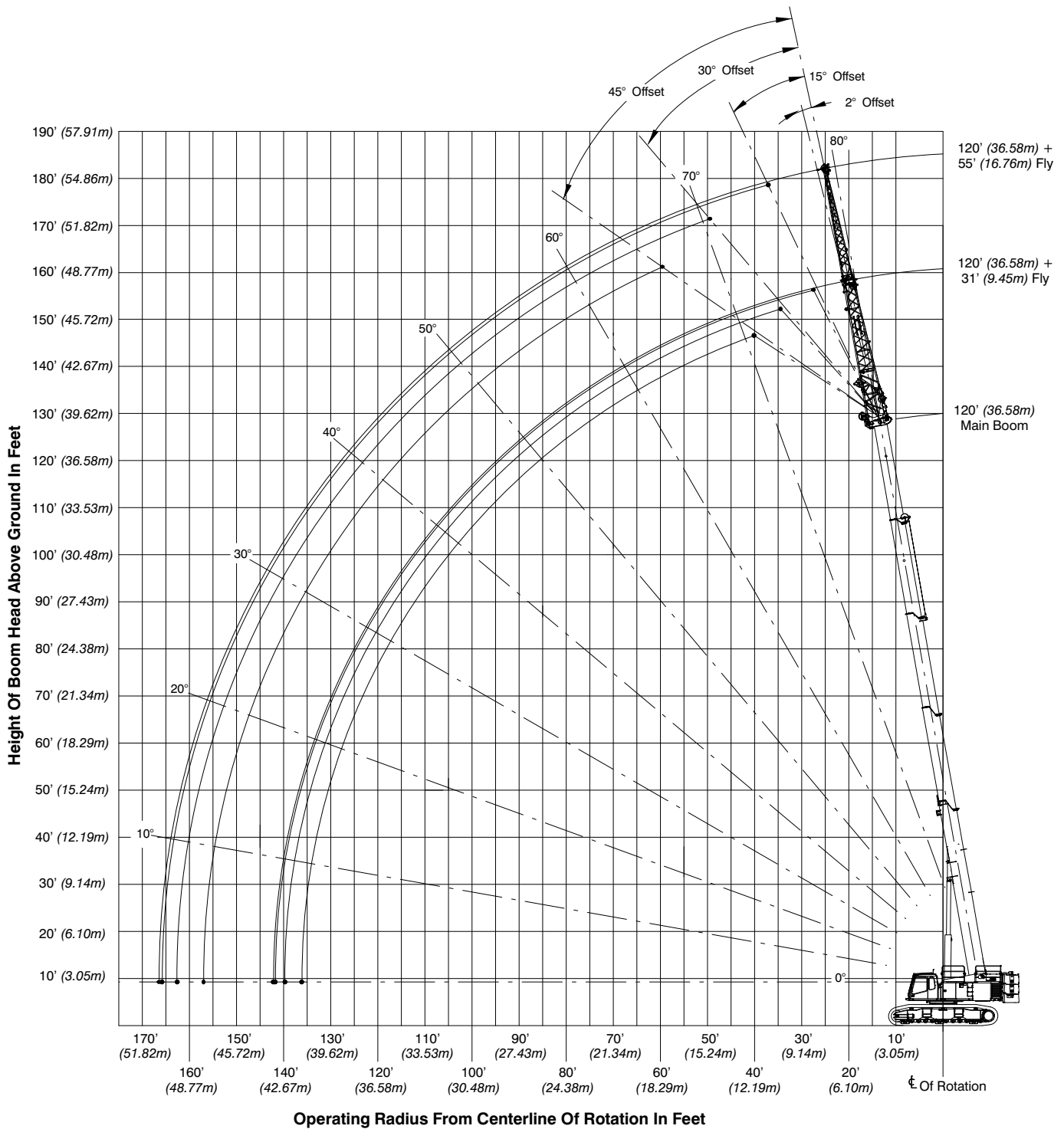
Main Boom



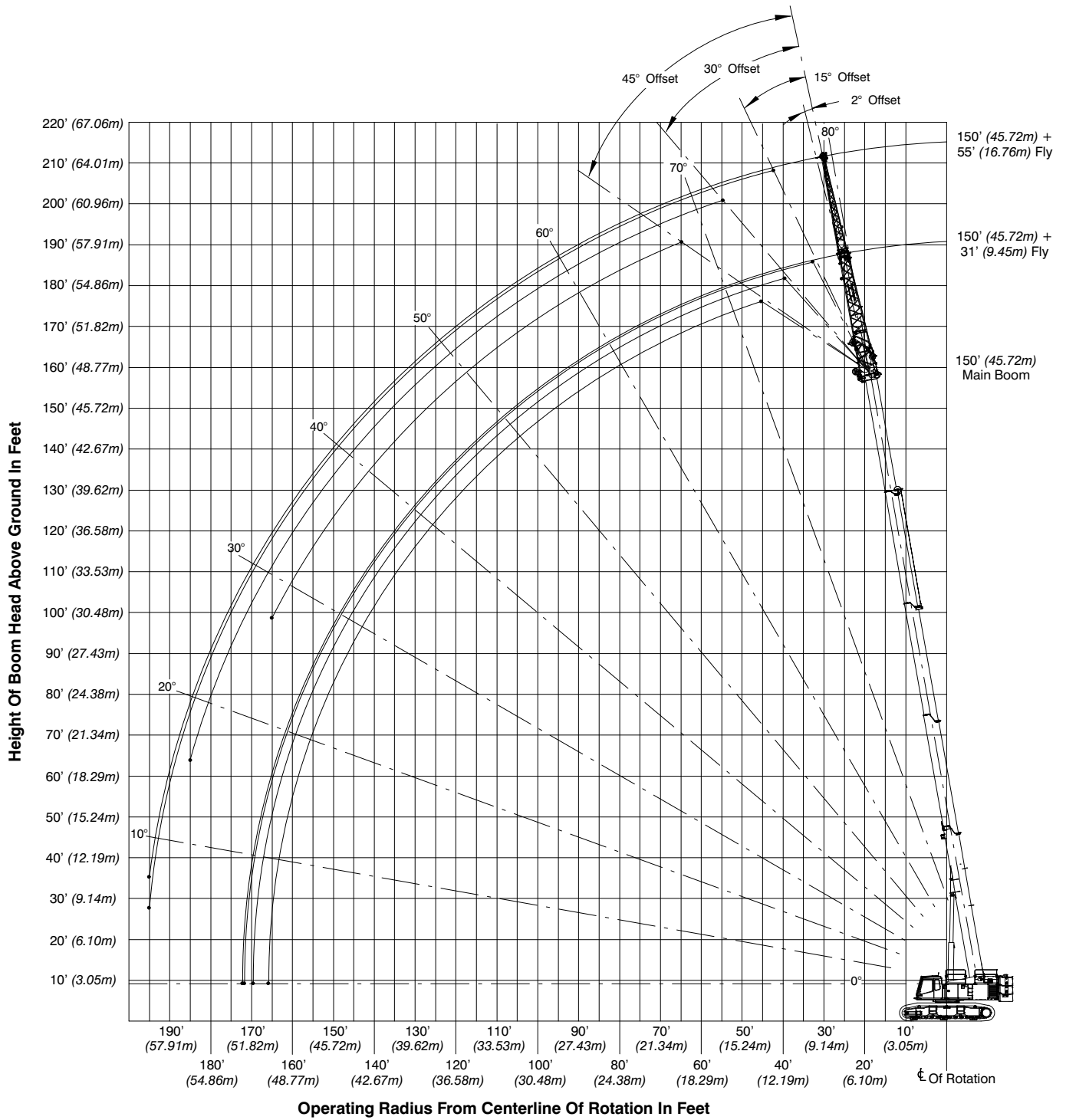
150' Main Boom + 10' Fly



120' Main Boom + 31-55' Fly



150' Main Boom + 31–55' Fly



Main Boom Load Charts

Main Boom Lift Capacity Chart – 360° Rotation – Fully Extended Tracks ABC+A [76,000 lb (34 473kg)] Counterweight [All capacities are listed in kips (mt)]													
Load Radius ft (m)	Main Boom												Load Radius ft (m)
	Boom Length – ft (m)												
	40 (12.2)	50 (15.2)	60 (18.3)	70 (21.3)	80 (24.4)	90 (27.4)	100 (30.5)	110 (33.5)	120 (36.6)	130 (39.6)	140 (42.7)	150 (45.7)	
10 (3.0)	240.0 (110.0)	107.2 (48.6)	105.4 (47.8)	101.5 (46.0)									10 (3.0)
12 (3.7)	193.7 (87.9)	107.2 (48.6)	105.4 (47.8)	101.5 (46.0)	101.4 (46.0)								12 (3.7)
15 (4.6)	155.0 (70.3)	107.2 (48.6)	105.4 (47.8)	101.5 (46.0)	96.6 (43.8)	81.9 (37.1)	56.5 (25.6)						15 (4.6)
20 (6.1)	116.2 (52.7)	107.2 (48.6)	105.4 (47.8)	101.5 (46.0)	80.8 (36.7)	73.3 (33.2)	56.5 (25.6)	56.0 (25.4)					20 (6.1)
25 (7.6)	93.0 (42.2)	93.0 (42.2)	93.0 (42.2)	87.8 (39.8)	69.0 (31.3)	62.7 (28.4)	56.3 (25.5)	56.0 (25.4)	58.0 (26.3)				25 (7.6)
30 (9.1)	74.3 (33.7)	74.1 (33.6)	73.7 (33.4)	73.3 (33.2)	59.9 (27.2)	55.0 (24.9)	53.5 (24.3)	56.0 (25.4)	51.3 (23.3)	48.6 (22.0)	38.4 (17.4)	30.0 (13.6)	30 (9.1)
35 (10.7)		58.1 (26.4)	57.9 (26.3)	57.6 (26.1)	53.2 (24.1)	51.8 (23.5)	53.5 (24.3)	51.8 (23.5)	45.4 (20.6)	43.1 (19.5)	38.4 (17.4)	30.0 (13.6)	35 (10.7)
40 (12.2)		48.9 (22.2)	49.9 (22.6)	50.6 (23.0)	51.0 (23.1)	46.7 (21.2)	49.5 (22.5)	46.3 (21.0)	40.6 (18.4)	38.5 (17.5)	37.0 (16.8)	30.0 (13.6)	40 (12.2)
45 (13.7)			41.8 (19.0)	42.4 (19.2)	42.9 (19.5)	42.4 (19.2)	41.5 (18.8)	41.5 (18.8)	36.5 (16.6)	34.7 (15.7)	33.4 (15.1)	30.0 (13.6)	45 (13.7)
50 (15.2)			35.6 (16.1)	36.3 (16.5)	36.7 (16.6)	37.1 (16.8)	35.5 (16.1)	35.6 (16.1)	33.0 (15.0)	31.4 (14.2)	30.2 (13.7)	29.1 (13.2)	50 (15.2)
55 (16.8)				31.4 (14.2)	31.8 (14.4)	32.2 (14.6)	30.7 (13.9)	30.8 (14.0)	30.0 (13.6)	28.5 (12.9)	27.5 (12.5)	26.5 (12.0)	55 (16.8)
60 (18.3)				27.5 (12.5)	27.9 (12.7)	28.2 (12.8)	27.9 (12.7)	26.9 (12.2)	26.9 (12.2)	26.0 (11.8)	25.1 (11.4)	24.2 (11.0)	60 (18.3)
65 (19.8)					24.6 (11.2)	24.9 (11.3)	25.2 (11.4)	23.7 (10.8)	23.7 (10.8)	23.7 (10.8)	23.0 (10.4)	22.2 (10.1)	65 (19.8)
70 (21.3)					21.9 (9.9)	22.2 (10.1)	22.4 (10.2)	21.9 (9.9)	21.0 (9.5)	21.0 (9.5)	21.0 (9.5)	20.3 (9.2)	70 (21.3)
75 (22.9)						20.0 (9.1)	20.2 (9.2)	20.4 (9.3)	18.8 (8.5)	18.9 (8.6)	18.9 (8.6)	18.7 (8.5)	75 (22.9)
80 (24.4)						18.0 (8.2)	18.2 (8.3)	18.4 (8.3)	17.3 (7.8)	16.9 (7.7)	16.9 (7.7)	17.0 (7.7)	80 (24.4)
85 (25.9)							16.5 (7.5)	16.6 (7.5)	16.1 (7.3)	15.2 (6.9)	15.2 (6.9)	15.2 (6.9)	85 (25.9)
90 (27.4)							14.9 (6.8)	15.1 (6.8)	15.1 (6.8)	13.6 (6.2)	13.7 (6.2)	13.7 (6.2)	90 (27.4)
95 (29.0)								13.8 (6.3)	13.9 (6.3)	12.3 (5.6)	12.3 (5.6)	12.4 (5.6)	95 (29.0)
100 (30.5)								12.6 (5.7)	12.7 (5.8)	11.1 (5.0)	11.1 (5.0)	11.2 (5.1)	100 (30.5)
105 (32.0)									11.7 (5.3)	10.0 (4.5)	10.1 (4.6)	10.1 (4.6)	105 (32.0)
110 (33.5)									10.7 (4.9)	9.0 (4.1)	9.1 (4.1)	9.1 (4.1)	110 (33.5)
115 (35.1)										8.2 (3.7)	8.2 (3.7)	8.3 (3.8)	115 (35.1)
120 (36.6)										7.4 (3.4)	7.4 (3.4)	7.5 (3.4)	120 (36.6)
125 (38.1)											6.7 (3.0)	6.7 (3.0)	125 (38.1)
130 (39.6)											6.0 (2.7)	6.1 (2.8)	130 (39.6)
135 (41.1)												5.5 (2.5)	135 (41.1)
140 (42.7)												4.9 (2.2)	140 (42.7)

This material is supplied for reference use only. Operator must refer to in-cab Crane Rating Manual and Operator's Manual to determine allowable crane lifting capacities and assembly and operating procedures.

Main Boom Lift Capacity Chart – 360° Rotation – Fully Extended Tracks													
ABC+A [76,000 lb (34 473kg)] Counterweight													
[All capacities are listed in kips (mt)]													
Load Radius ft (m)	Main Boom + 10 ft Manual Offset Fly (2° Offsets)												Load Radius ft (m)
	Boom Length ft (m)												
	40 (12.2)	50 (15.2)	60 (18.3)	70 (21.3)	80 (24.4)	90 (27.4)	100 (30.5)	110 (33.5)	120 (36.6)	130 (39.6)	140 (42.7)	150 (45.7)	
10 (3.0)	62.4 (28.3)	62.3 (28.3)											10 (3.0)
12 (3.7)	62.4 (28.3)	62.3 (28.3)	62.3 (28.3)										12 (3.7)
15 (4.6)	62.4 (28.3)	62.3 (28.3)	62.3 (28.3)	62.3 (28.3)	62.2 (28.2)								15 (4.6)
20 (6.1)	61.6 (27.9)	62.3 (28.3)	62.3 (28.3)	62.3 (28.3)	62.2 (28.2)	62.2 (28.2)							20 (6.1)
25 (7.6)	56.1 (25.4)	61.6 (27.9)	62.3 (28.3)	62.3 (28.3)	62.2 (28.2)	62.2 (28.2)	62.1 (28.2)	57.1 (25.9)	53.3 (24.2)				25 (7.6)
30 (9.1)	51.7 (23.5)	56.9 (25.8)	61.3 (27.8)	62.3 (28.3)	62.2 (28.2)	62.2 (28.2)	62.1 (28.2)	50.9 (23.1)	47.1 (21.4)	39.2 (17.8)	31.0 (14.1)	24.1 (10.9)	30 (9.1)
35 (10.7)	48.5 (22.0)	53.1 (24.1)	57.4 (26.0)	60.6 (27.5)	60.5 (27.4)	60.4 (27.4)	55.6 (25.2)	45.9 (20.8)	41.8 (19.0)	39.2 (17.8)	31.0 (14.1)	24.1 (10.9)	35 (10.7)
40 (12.2)	46.4 (21.0)	49.7 (22.5)	49.7 (22.5)	49.6 (22.5)	49.5 (22.5)	49.4 (22.4)	49.3 (22.4)	41.8 (19.0)	37.6 (17.1)	35.5 (16.1)	31.0 (14.1)	24.1 (10.9)	40 (12.2)
45 (13.7)		41.6 (18.9)	41.6 (18.9)	41.6 (18.9)	41.5 (18.8)	41.4 (18.8)	41.4 (18.8)	38.2 (17.3)	33.8 (15.3)	32.0 (14.5)	30.7 (13.9)	24.1 (10.9)	45 (13.7)
50 (15.2)		35.6 (16.1)	35.5 (16.1)	35.5 (16.1)	35.5 (16.1)	35.4 (16.1)	35.3 (16.0)	35.1 (15.9)	30.6 (13.9)	28.9 (13.1)	27.8 (12.6)	24.1 (10.9)	50 (15.2)
55 (16.8)				30.6 (13.9)	30.6 (13.9)	30.6 (13.9)	30.5 (13.8)	30.4 (13.8)	27.8 (12.6)	26.3 (11.9)	25.3 (11.5)	24.1 (10.9)	55 (16.8)
60 (18.3)				26.7 (12.1)	26.7 (12.1)	26.7 (12.1)	26.6 (12.1)	26.5 (12.0)	25.3 (11.5)	24.0 (10.9)	23.0 (10.4)	20.0 (9.1)	60 (18.3)
65 (19.8)					23.5 (10.7)	23.4 (10.6)	23.4 (10.6)	23.3 (10.6)	23.2 (10.5)	21.9 (9.9)	21.0 (9.5)	20.0 (9.1)	65 (19.8)
70 (21.3)					20.8 (9.4)	20.7 (9.4)	20.7 (9.4)	20.7 (9.4)	20.6 (9.3)	20.3 (9.2)	19.5 (8.8)	18.7 (8.5)	70 (21.3)
75 (22.9)						18.5 (8.4)	18.5 (8.4)	18.5 (8.4)	18.5 (8.4)	18.4 (8.3)	17.9 (8.1)	17.2 (7.8)	75 (22.9)
80 (24.4)						16.5 (7.5)	16.5 (7.5)	16.5 (7.5)	16.5 (7.5)	16.5 (7.5)	16.4 (7.4)	15.8 (7.2)	80 (24.4)
85 (25.9)							14.8 (6.7)	14.8 (6.7)	14.8 (6.7)	14.7 (6.7)	14.7 (6.7)	14.6 (6.6)	85 (25.9)
90 (27.4)							13.3 (6.0)	13.3 (6.0)	13.2 (6.0)	13.2 (6.0)	13.2 (6.0)	13.2 (6.0)	90 (27.4)
95 (29.0)								11.9 (5.4)	11.9 (5.4)	11.9 (5.4)	11.9 (5.4)	11.8 (5.4)	95 (29.0)
100 (30.5)								10.7 (4.9)	10.7 (4.9)	10.7 (4.9)	10.7 (4.9)	10.6 (4.8)	100 (30.5)
105 (32.0)									9.6 (4.4)	9.6 (4.4)	9.6 (4.4)	9.6 (4.4)	105 (32.0)
110 (33.5)									8.7 (3.9)	8.7 (3.9)	8.6 (3.9)	8.6 (3.9)	110 (33.5)
115 (35.1)										7.8 (3.5)	7.8 (3.5)	7.7 (3.5)	115 (35.1)
120 (36.6)										7.0 (3.2)	7.0 (3.2)	6.9 (3.1)	120 (36.6)
125 (38.1)											6.2 (2.8)	6.2 (2.8)	125 (38.1)
130 (39.6)											5.6 (2.5)	5.6 (2.5)	130 (39.6)
135 (41.1)												4.9 (2.2)	135 (41.1)
140 (42.7)												4.4 (2.0)	140 (42.7)
145 (44.2)												3.9 (1.8)	145 (44.2)

This material is supplied for reference use only. Operator must refer to in-cab Crane Rating Manual and Operator's Manual to determine allowable crane lifting capacities and assembly and operating procedures.

Main Boom Lift Capacity Chart – 360° Rotation – Fully Extended Tracks ABC+A [76,000 lb (34 473kg)] Counterweight [All capacities are listed in kips (mt)]													
Load Radius ft (m)	Main Boom + 10 ft Manual Offset Fly (15° Offsets)												Load Radius ft (m)
	Boom Length ft (m)												
	40 (12.2)	50 (15.2)	60 (18.3)	70 (21.3)	80 (24.4)	90 (27.4)	100 (30.5)	110 (33.5)	120 (36.6)	130 (39.6)	140 (42.7)	150 (45.7)	
10 (3.0)	62.4 (28.3)	62.3 (28.3)											10 (3.0)
12 (3.7)	61.9 (28.1)	62.3 (28.3)	62.3 (28.3)										12 (3.7)
15 (4.6)	58.7 (26.6)	61.7 (28.0)	62.3 (28.3)	62.3 (28.3)									15 (4.6)
20 (6.1)	54.3 (24.6)	57.5 (26.1)	59.9 (27.2)	61.2 (27.8)	61.3 (27.8)	61.1 (27.7)							20 (6.1)
25 (7.6)	50.9 (23.1)	54.0 (24.5)	56.5 (25.6)	58.1 (26.4)	58.7 (26.6)	58.8 (26.7)	58.6 (26.6)	55.7 (25.3)	52.2 (23.7)				25 (7.6)
30 (9.1)	48.3 (21.9)	51.2 (23.2)	53.7 (24.4)	55.4 (25.1)	56.3 (25.5)	56.7 (25.7)	56.7 (25.7)	49.9 (22.6)	46.8 (21.2)	39.1 (17.7)	31.0 (14.1)		30 (9.1)
35 (10.7)	47.2 (21.4)	49.0 (22.2)	51.3 (23.3)	53.1 (24.1)	54.2 (24.6)	54.7 (24.8)	54.9 (24.9)	45.1 (20.5)	42.1 (19.1)	39.1 (17.7)	31.0 (14.1)	24.1 (10.9)	35 (10.7)
40 (12.2)	46.6 (21.1)	47.3 (21.5)	49.4 (22.4)	50.2 (22.8)	50.1 (22.7)	50.0 (22.7)	49.9 (22.6)	41.1 (18.6)	37.9 (17.2)	35.9 (16.3)	31.0 (14.1)	24.1 (10.9)	40 (12.2)
45 (13.7)		42.0 (19.1)	42.0 (19.1)	42.1 (19.1)	42.0 (19.1)	41.9 (19.0)	41.8 (19.0)	37.7 (17.1)	34.1 (15.5)	32.3 (14.7)	31.0 (14.1)	24.1 (10.9)	45 (13.7)
50 (15.2)		35.8 (16.2)	35.9 (16.3)	35.9 (16.3)	35.9 (16.3)	35.8 (16.2)	35.7 (16.2)	34.7 (15.7)	30.9 (14.0)	29.2 (13.2)	28.1 (12.7)	24.1 (10.9)	50 (15.2)
55 (16.8)				31.0 (14.1)	31.0 (14.1)	30.9 (14.0)	30.9 (14.0)	30.8 (14.0)	28.0 (12.7)	26.6 (12.1)	25.6 (11.6)	24.1 (10.9)	55 (16.8)
60 (18.3)				27.0 (12.2)	27.0 (12.2)	27.0 (12.2)	27.0 (12.2)	26.9 (12.2)	25.6 (11.6)	24.2 (11.0)	23.3 (10.6)	20.0 (9.1)	60 (18.3)
65 (19.8)					23.7 (10.8)	23.7 (10.8)	23.7 (10.8)	23.7 (10.8)	23.5 (10.7)	22.2 (10.1)	21.3 (9.7)	20.0 (9.1)	65 (19.8)
70 (21.3)					21.0 (9.5)	21.0 (9.5)	21.0 (9.5)	20.9 (9.5)	20.9 (9.5)	20.5 (9.3)	19.7 (8.9)	19.0 (8.6)	70 (21.3)
75 (22.9)						18.7 (8.5)	18.7 (8.5)	18.7 (8.5)	18.7 (8.5)	18.7 (8.5)	18.1 (8.2)	17.4 (7.9)	75 (22.9)
80 (24.4)						16.7 (7.6)	16.7 (7.6)	16.7 (7.6)	16.7 (7.6)	16.7 (7.6)	16.7 (7.6)	16.0 (7.3)	80 (24.4)
85 (25.9)							15.0 (6.8)	15.0 (6.8)	15.0 (6.8)	15.0 (6.8)	14.9 (6.8)	14.8 (6.7)	85 (25.9)
90 (27.4)							13.4 (6.1)	13.4 (6.1)	13.4 (6.1)	13.4 (6.1)	13.4 (6.1)	13.4 (6.1)	90 (27.4)
95 (29.0)								12.1 (5.5)	12.1 (5.5)	12.1 (5.5)	12.1 (5.5)	12.0 (5.4)	95 (29.0)
100 (30.5)								10.9 (4.9)	10.9 (4.9)	10.9 (4.9)	10.8 (4.9)	10.8 (4.9)	100 (30.5)
105 (32.0)									9.8 (4.4)	9.8 (4.4)	9.8 (4.4)	9.7 (4.4)	105 (32.0)
110 (33.5)									8.8 (4.0)	8.8 (4.0)	8.8 (4.0)	8.8 (4.0)	110 (33.5)
115 (35.1)										7.9 (3.6)	7.9 (3.6)	7.9 (3.6)	115 (35.1)
120 (36.6)										7.1 (3.2)	7.1 (3.2)	7.1 (3.2)	120 (36.6)
125 (38.1)											6.3 (2.9)	6.3 (2.9)	125 (38.1)
130 (39.6)											5.7 (2.6)	5.7 (2.6)	130 (39.6)
135 (41.1)												5.0 (2.3)	135 (41.1)
140 (42.7)												4.5 (2.0)	140 (42.7)
145 (44.2)												3.9 (1.8)	145 (44.2)

This material is supplied for reference use only. Operator must refer to in-cab Crane Rating Manual and Operator's Manual to determine allowable crane lifting capacities and assembly and operating procedures.

Main Boom Lift Capacity Chart – 360° Rotation – Fully Extended Tracks ABC+A [76,000 lb (34 473kg)] Counterweight [All capacities are listed in kips (mt)]													
Load Radius ft (m)	Main Boom + 10 ft Manual Offset Fly (30° Offsets)												Load Radius ft (m)
	Boom Length ft (m)												
	40 (12.2)	50 (15.2)	60 (18.3)	70 (21.3)	80 (24.4)	90 (27.4)	100 (30.5)	110 (33.5)	120 (36.6)	130 (39.6)	140 (42.7)	150 (45.7)	
10 (3.0)	54.8 (24.9)	56.0 (25.4)											10 (3.0)
12 (3.7)	53.4 (24.2)	54.8 (24.9)	55.7 (25.3)										12 (3.7)
15 (4.6)	51.6 (23.4)	53.1 (24.1)	54.1 (24.5)	54.6 (24.8)									15 (4.6)
20 (6.1)	49.2 (22.3)	50.7 (23.0)	51.9 (23.5)	52.5 (23.8)	52.6 (23.9)	52.5 (23.8)							20 (6.1)
25 (7.6)	47.4 (21.5)	48.8 (22.1)	50.0 (22.7)	50.8 (23.0)	51.1 (23.2)	51.1 (23.2)	50.9 (23.1)	50.4 (22.9)					25 (7.6)
30 (9.1)	46.3 (21.0)	47.4 (21.5)	48.5 (22.0)	49.3 (22.4)	49.7 (22.5)	49.8 (22.6)	49.8 (22.6)	49.0 (22.2)	46.1 (20.9)	39.2 (17.8)			30 (9.1)
35 (10.7)	46.3 (21.0)	46.5 (21.1)	47.4 (21.5)	48.1 (21.8)	48.5 (22.0)	48.7 (22.1)	48.7 (22.1)	44.4 (20.1)	41.8 (19.0)	39.2 (17.8)	31.0 (14.1)	24.1 (10.9)	35 (10.7)
40 (12.2)	46.3 (21.0)	46.1 (20.9)	46.5 (21.1)	47.1 (21.4)	47.5 (21.5)	47.8 (21.7)	47.8 (21.7)	40.7 (18.5)	38.2 (17.3)	36.2 (16.4)	31.0 (14.1)	24.1 (10.9)	40 (12.2)
45 (13.7)		42.3 (19.2)	42.5 (19.3)	42.5 (19.3)	42.4 (19.2)	42.4 (19.2)	42.3 (19.2)	37.4 (17.0)	34.5 (15.6)	32.7 (14.8)	31.0 (14.1)	24.1 (10.9)	45 (13.7)
50 (15.2)			36.2 (16.4)	36.3 (16.5)	36.3 (16.5)	36.2 (16.4)	36.2 (16.4)	34.5 (15.6)	31.2 (14.2)	29.6 (13.4)	28.5 (12.9)	24.1 (10.9)	50 (15.2)
55 (16.8)				31.3 (14.2)	31.3 (14.2)	31.3 (14.2)	31.3 (14.2)	31.2 (14.2)	28.4 (12.9)	26.9 (12.2)	25.9 (11.7)	24.1 (10.9)	55 (16.8)
60 (18.3)				27.2 (12.3)	27.3 (12.4)	27.3 (12.4)	27.3 (12.4)	27.2 (12.3)	25.9 (11.7)	24.5 (11.1)	23.6 (10.7)	20.0 (9.1)	60 (18.3)
65 (19.8)					23.9 (10.8)	24.0 (10.9)	24.0 (10.9)	24.0 (10.9)	23.7 (10.8)	22.5 (10.2)	21.6 (9.8)	20.0 (9.1)	65 (19.8)
70 (21.3)					21.1 (9.6)	21.2 (9.6)	21.2 (9.6)	21.2 (9.6)	21.2 (9.6)	20.8 (9.4)	20.0 (9.1)	19.2 (8.7)	70 (21.3)
75 (22.9)						18.9 (8.6)	19.0 (8.6)	19.0 (8.6)	19.0 (8.6)	19.0 (8.6)	18.4 (8.3)	17.7 (8.0)	75 (22.9)
80 (24.4)						16.8 (7.6)	16.9 (7.7)	16.9 (7.7)	17.0 (7.7)	16.9 (7.7)	16.9 (7.7)	16.3 (7.4)	80 (24.4)
85 (25.9)							15.1 (6.8)	15.1 (6.8)	15.2 (6.9)	15.2 (6.9)	15.2 (6.9)	15.0 (6.8)	85 (25.9)
90 (27.4)								13.6 (6.2)	13.6 (6.2)	13.6 (6.2)	13.6 (6.2)	13.6 (6.2)	90 (27.4)
95 (29.0)								12.2 (5.5)	12.2 (5.5)	12.2 (5.5)	12.2 (5.5)	12.2 (5.5)	95 (29.0)
100 (30.5)									11.0 (5.0)	11.0 (5.0)	11.0 (5.0)	11.0 (5.0)	100 (30.5)
105 (32.0)									9.9 (4.5)	9.9 (4.5)	9.9 (4.5)	9.9 (4.5)	105 (32.0)
110 (33.5)										8.9 (4.0)	8.9 (4.0)	8.9 (4.0)	110 (33.5)
115 (35.1)										8.0 (3.6)	8.0 (3.6)	8.0 (3.6)	115 (35.1)
120 (36.6)											7.2 (3.3)	7.2 (3.3)	120 (36.6)
125 (38.1)											6.4 (2.9)	6.4 (2.9)	125 (38.1)
130 (39.6)												5.7 (2.6)	130 (39.6)

This material is supplied for reference use only. Operator must refer to in-cab Crane Rating Manual and Operator's Manual to determine allowable crane lifting capacities and assembly and operating procedures.

Main Boom Lift Capacity Chart – 360° Rotation – Fully Extended Tracks													
ABC+A [76,000 lb (34 473kg)] Counterweight													
[All capacities are listed in kips (mt)]													
Load Radius ft (m)	Main Boom + 10 ft Manual Offset Fly (45° Offsets)												Load Radius ft (m)
	Boom Length ft (m)												
	40 (12.2)	50 (15.2)	60 (18.3)	70 (21.3)	80 (24.4)	90 (27.4)	100 (30.5)	110 (33.5)	120 (36.6)	130 (39.6)	140 (42.7)	150 (45.7)	
12 (3.7)	48.6 (22.0)	49.2 (22.3)											12 (3.7)
15 (4.6)	47.7 (21.6)	48.3 (21.9)	48.7 (22.1)										15 (4.6)
20 (6.1)	46.6 (21.1)	47.1 (21.4)	47.6 (21.6)	47.7 (21.6)	47.7 (21.6)	47.5 (21.5)							20 (6.1)
25 (7.6)	46.1 (20.9)	46.3 (21.0)	46.7 (21.2)	46.9 (21.3)	46.9 (21.3)	46.7 (21.2)	46.5 (21.1)						25 (7.6)
30 (9.1)	46.1 (20.9)	46.0 (20.9)	46.2 (21.0)	46.3 (21.0)	46.3 (21.0)	46.1 (20.9)	45.9 (20.8)	45.5 (20.6)	44.5 (20.2)				30 (9.1)
35 (10.7)		46.0 (20.9)	45.9 (20.8)	45.9 (20.8)	45.8 (20.8)	45.7 (20.7)	45.5 (20.6)	44.1 (20.0)	41.6 (18.9)	39.4 (17.9)	31.2 (14.2)		35 (10.7)
40 (12.2)		46.0 (20.9)	45.9 (20.8)	45.7 (20.7)	45.5 (20.6)	45.3 (20.5)	45.1 (20.5)	40.5 (18.4)	38.1 (17.3)	36.1 (16.4)	31.2 (14.2)	24.4 (11.1)	40 (12.2)
45 (13.7)			42.7 (19.4)	42.8 (19.4)	42.8 (19.4)	42.8 (19.4)	42.7 (19.4)	37.2 (16.9)	34.9 (15.8)	33.1 (15.0)	31.2 (14.2)	24.4 (11.1)	45 (13.7)
50 (15.2)				36.5 (16.6)	36.6 (16.6)	36.6 (16.6)	36.6 (16.6)	34.4 (15.6)	31.6 (14.3)	30.0 (13.6)	28.9 (13.1)	24.4 (11.1)	50 (15.2)
55 (16.8)				31.4 (14.2)	31.6 (14.3)	31.6 (14.3)	31.6 (14.3)	31.5 (14.3)	28.8 (13.1)	27.3 (12.4)	26.3 (11.9)	24.4 (11.1)	55 (16.8)
60 (18.3)					27.5 (12.5)	27.5 (12.5)	27.5 (12.5)	27.5 (12.5)	26.2 (11.9)	24.9 (11.3)	23.9 (10.8)	20.1 (9.1)	60 (18.3)
65 (19.8)						24.2 (11.0)	24.2 (11.0)	24.2 (11.0)	24.0 (10.9)	22.7 (10.3)	21.9 (9.9)	20.1 (9.1)	65 (19.8)
70 (21.3)							21.4 (9.7)	21.4 (9.7)	21.4 (9.7)	20.9 (9.5)	20.3 (9.2)	19.5 (8.8)	70 (21.3)
75 (22.9)							19.1 (8.7)	19.2 (8.7)	19.2 (8.7)	19.2 (8.7)	18.6 (8.4)	17.9 (8.1)	75 (22.9)
80 (24.4)								17.1 (7.8)	17.1 (7.8)	17.1 (7.8)	17.1 (7.8)	16.5 (7.5)	80 (24.4)
85 (25.9)									15.3 (6.9)	15.3 (6.9)	15.3 (6.9)	15.2 (6.9)	85 (25.9)
90 (27.4)									13.7 (6.2)	13.7 (6.2)	13.8 (6.3)	13.7 (6.2)	90 (27.4)
95 (29.0)										12.3 (5.6)	12.4 (5.6)	12.4 (5.6)	95 (29.0)
100 (30.5)											11.1 (5.0)	11.1 (5.0)	100 (30.5)
105 (32.0)												10.0 (4.5)	105 (32.0)

This material is supplied for reference use only. Operator must refer to in-cab Crane Rating Manual and Operator's Manual to determine allowable crane lifting capacities and assembly and operating procedures.

Jib Attachment Load Charts

Main Boom Lift Capacity Chart – 360° Rotation – Fully Extended Tracks ABC+A [76,000 lb (34 473kg)] Counterweight [All capacities are listed in kips (mt)]									
Load Radius ft (m)	120 ft Main Boom Length								Load Radius ft (m)
	31 ft Manual Offset Fly				55 ft Manual Offset Fly				
	2°	15°	30°	45°	2°	15°	30°	45°	
30 (9.1)	29.7 (13.5)								30 (9.1)
35 (10.7)	28.3 (12.8)				13.6 (6.2)				35 (10.7)
40 (12.2)	27.0 (12.2)	20.3 (9.2)			13.1 (5.9)				40 (12.2)
45 (13.7)	25.8 (11.7)	19.7 (8.9)	16.9 (7.7)		12.7 (5.8)				45 (13.7)
50 (15.2)	24.7 (11.2)	19.1 (8.7)	16.5 (7.5)	14.8 (6.7)	12.2 (5.5)	10.4 (4.7)			50 (15.2)
55 (16.8)	23.6 (10.7)	18.5 (8.4)	16.1 (7.3)	14.6 (6.6)	11.8 (5.4)	10.1 (4.6)			55 (16.8)
60 (18.3)	22.6 (10.3)	18.0 (8.2)	15.8 (7.2)	14.4 (6.5)	11.4 (5.2)	9.8 (4.4)			60 (18.3)
65 (19.8)	20.1 (9.1)	17.5 (7.9)	15.5 (7.0)	14.3 (6.5)	11.1 (5.0)	9.6 (4.4)	8.3 (3.8)		65 (19.8)
70 (21.3)	29.5 (13.4)	17.0 (7.7)	15.2 (6.9)	14.1 (6.4)	10.7 (4.9)	9.3 (4.2)	8.2 (3.7)		70 (21.3)
75 (22.9)	18.8 (8.5)	16.6 (7.5)	14.9 (6.8)	14.0 (6.4)	10.4 (4.7)	9.1 (4.1)	8.0 (3.6)	7.3 (3.3)	75 (22.9)
80 (24.4)	17.4 (7.9)	16.2 (7.3)	14.7 (6.7)	13.9 (6.3)	10.1 (4.6)	8.8 (4.0)	7.8 (3.5)	7.2 (3.3)	80 (24.4)
85 (25.9)	15.6 (7.1)	15.8 (7.2)	14.5 (6.6)	13.9 (6.3)	9.8 (4.4)	8.6 (3.9)	7.7 (3.5)	7.2 (3.3)	85 (25.9)
90 (27.4)	14.1 (6.4)	14.7 (6.7)	14.3 (6.5)	13.8 (6.3)	9.5 (4.3)	8.4 (3.8)	7.6 (3.4)	7.1 (3.2)	90 (27.4)
95 (29.0)	12.8 (5.8)	13.3 (6.0)	13.7 (6.2)	13.8 (6.3)	9.2 (4.2)	8.2 (3.7)	7.5 (3.4)	7.0 (3.2)	95 (29.0)
100 (30.5)	11.6 (5.3)	12.0 (5.4)	12.4 (5.6)	12.7 (5.8)	9.0 (4.1)	8.1 (3.7)	7.4 (3.4)	7.0 (3.2)	100 (30.5)
105 (32.0)	10.5 (4.8)	10.9 (4.9)	11.2 (5.1)	11.4 (5.2)	8.8 (4.0)	7.9 (3.6)	7.3 (3.3)	6.9 (3.1)	105 (32.0)
110 (33.5)	9.5 (4.3)	9.9 (4.5)	10.2 (4.6)	10.3 (4.7)	8.5 (3.9)	7.8 (3.5)	7.2 (3.3)	6.9 (3.1)	110 (33.5)
115 (35.1)	8.7 (3.9)	9.0 (4.1)	9.2 (4.2)	9.3 (4.2)	8.3 (3.8)	7.6 (3.4)	7.1 (3.2)	6.9 (3.1)	115 (35.1)
120 (36.6)	7.9 (3.6)	8.1 (3.7)	8.3 (3.8)		8.1 (3.7)	7.5 (3.4)	7.1 (3.2)	6.9 (3.1)	120 (36.6)
125 (38.1)	7.1 (3.2)	7.4 (3.4)	7.5 (3.4)		8.0 (3.6)	7.4 (3.4)	7.0 (3.2)	6.9 (3.1)	125 (38.1)
130 (39.6)	6.5 (2.9)	6.7 (3.0)	6.8 (3.1)		7.3 (3.3)	7.3 (3.3)	7.0 (3.2)	6.9 (3.1)	130 (39.6)
135 (41.1)	5.9 (2.7)	6.0 (2.7)			6.7 (3.0)	7.1 (3.2)	7.0 (3.2)	6.9 (3.1)	135 (41.1)
140 (42.7)	5.3 (2.4)	5.4 (2.4)			6.1 (2.8)	6.5 (2.9)	6.8 (3.1)	6.9 (3.1)	140 (42.7)
145 (44.2)					5.6 (2.5)	5.9 (2.7)	6.1 (2.8)		145 (44.2)
150 (45.7)					5.1 (2.3)	5.4 (2.4)	5.5 (2.5)		150 (45.7)
155 (47.2)					4.6 (2.1)	4.9 (2.2)	5.0 (2.3)		155 (47.2)

This material is supplied for reference use only. Operator must refer to in-cab Crane Rating Manual and Operator's Manual to determine allowable crane lifting capacities and assembly and operating procedures.

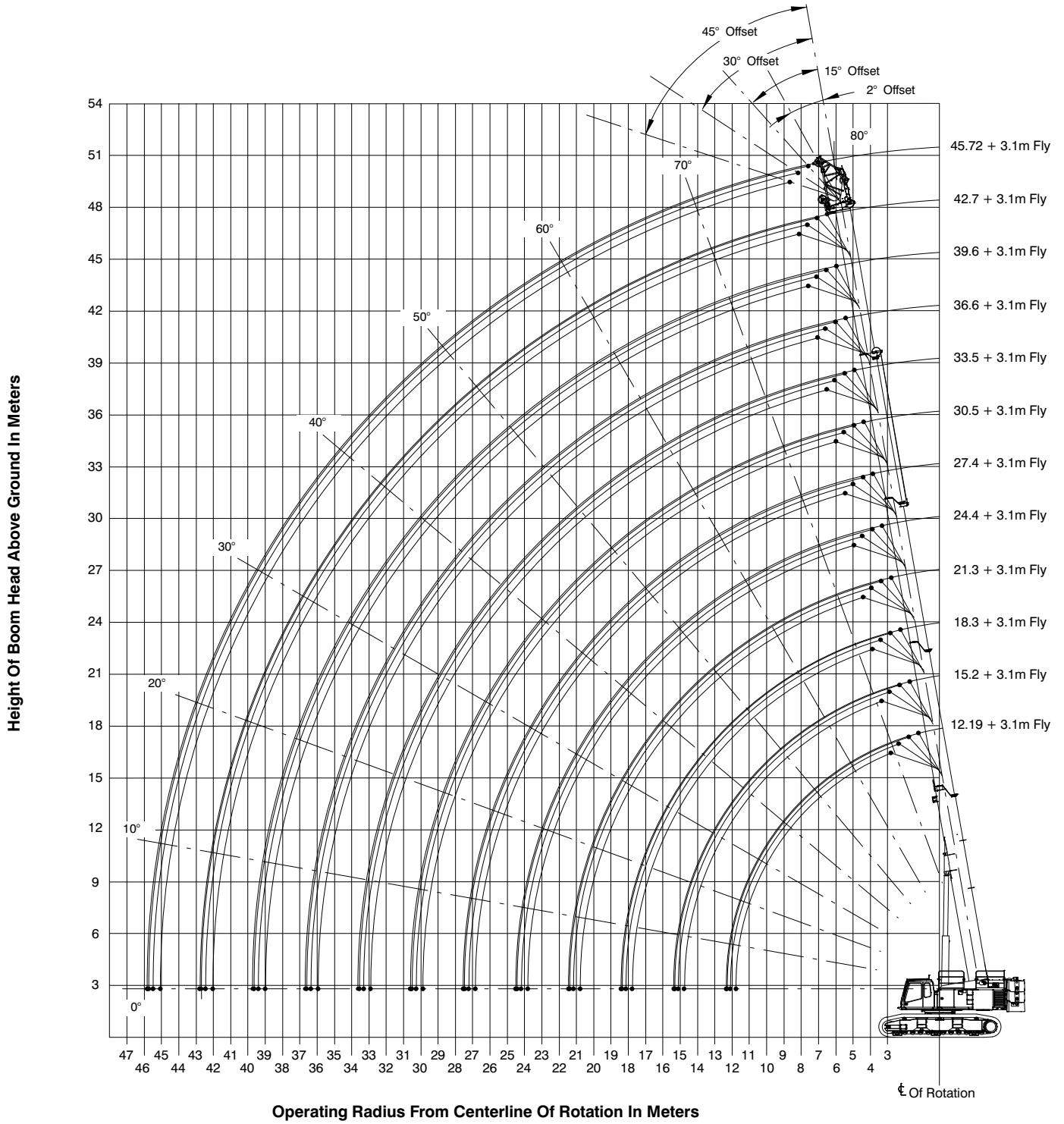
Main Boom Lift Capacity Chart – 360° Rotation – Fully Extended Tracks
ABC+A [76,000 lb (34 473kg)] Counterweight
 [All capacities are listed in kips (mt)]

Load Radius ft (m)	150 ft Main Boom Length								Load Radius ft (m)	
	31 ft Manual Offset Fly				55 ft Manual Offset Fly					
	2°	15°	30°	45°	2°	15°	30°	45°		
35 (10.7)	16.1 (7.3)									35 (10.7)
40 (12.2)	16.1 (7.3)				10.2 (4.6)					40 (12.2)
45 (13.7)	16.1 (7.3)	16.2 (7.3)			10.0 (4.5)					45 (13.7)
50 (15.2)	16.1 (7.3)	16.2 (7.3)	14.8 (6.7)		9.8 (4.4)					50 (15.2)
55 (16.8)	16.1 (7.3)	16.1 (7.3)	14.6 (6.6)	13.6 (6.2)	9.7 (4.4)	8.6 (3.9)				55 (16.8)
60 (18.3)	16.1 (7.3)	15.9 (7.2)	14.4 (6.5)	13.4 (6.1)	9.5 (4.3)	8.4 (3.8)				60 (18.3)
65 (19.8)	16.1 (7.3)	15.6 (7.1)	14.2 (6.4)	13.3 (6.0)	9.3 (4.2)	8.3 (3.8)				65 (19.8)
70 (21.3)	16.1 (7.3)	15.4 (7.0)	14.0 (6.4)	13.2 (6.0)	9.1 (4.1)	8.1 (3.7)	7.3 (3.3)			70 (21.3)
75 (22.9)	16.1 (7.3)	15.2 (6.9)	13.9 (6.3)	13.1 (5.9)	9.0 (4.1)	8.0 (3.6)	7.2 (3.3)			75 (22.9)
80 (24.4)	14.9 (6.8)	15.0 (6.8)	13.7 (6.2)	13.1 (5.9)	8.8 (4.0)	7.9 (3.6)	7.1 (3.2)	6.6 (3.0)		80 (24.4)
85 (25.9)	13.8 (6.3)	14.2 (6.4)	13.6 (6.2)	13.0 (5.9)	8.6 (3.9)	7.8 (3.5)	7.0 (3.2)	6.6 (3.0)		85 (25.9)
90 (27.4)	12.7 (5.8)	13.1 (5.9)	13.5 (6.1)	13.0 (5.9)	8.5 (3.9)	7.6 (3.4)	6.9 (3.1)	6.5 (2.9)		90 (27.4)
95 (29.0)	11.7 (5.3)	12.1 (5.5)	12.5 (5.7)	12.9 (5.9)	8.3 (3.8)	7.5 (3.4)	6.9 (3.1)	6.5 (2.9)		95 (29.0)
100 (30.5)	10.8 (4.9)	11.2 (5.1)	11.6 (5.3)	11.9 (5.4)	8.2 (3.7)	7.4 (3.4)	6.8 (3.1)	6.4 (2.9)		100 (30.5)
105 (32.0)	10.0 (4.5)	10.3 (4.7)	10.7 (4.9)	11.0 (5.0)	8.1 (3.7)	7.3 (3.3)	6.7 (3.0)	6.4 (2.9)		105 (32.0)
110 (33.5)	9.1 (4.1)	9.5 (4.3)	9.9 (4.5)	10.1 (4.6)	7.9 (3.6)	7.2 (3.3)	6.7 (3.0)	6.4 (2.9)		110 (33.5)
115 (35.1)	8.3 (3.8)	8.7 (3.9)	9.0 (4.1)	9.3 (4.2)	7.8 (3.5)	7.1 (3.2)	6.6 (3.0)	6.4 (2.9)		115 (35.1)
120 (36.6)	7.5 (3.4)	7.8 (3.5)	8.2 (3.7)	8.4 (3.8)	7.5 (3.4)	7.0 (3.2)	6.6 (3.0)	6.4 (2.9)		120 (36.6)
125 (38.1)	6.7 (3.0)	7.1 (3.2)	7.4 (3.4)	7.6 (3.4)	6.9 (3.1)	6.9 (3.1)	6.5 (2.9)	6.4 (2.9)		125 (38.1)
130 (39.6)	6.1 (2.8)	6.4 (2.9)	6.7 (3.0)	6.8 (3.1)	6.4 (2.9)	6.8 (3.1)	6.5 (2.9)	6.4 (2.9)		130 (39.6)
135 (41.1)	5.5 (2.5)	5.8 (2.6)	6.0 (2.7)	6.1 (2.8)	5.9 (2.7)	6.2 (2.8)	6.5 (2.9)	6.4 (2.9)		135 (41.1)
140 (42.7)	4.9 (2.2)	5.2 (2.4)	5.4 (2.4)	5.4 (2.4)	5.4 (2.4)	5.7 (2.6)	6.1 (2.8)	6.4 (2.9)		140 (42.7)
145 (44.2)	4.4 (2.0)	4.6 (2.1)	4.8 (2.2)	4.8 (2.2)	4.9 (2.2)	5.3 (2.4)	5.6 (2.5)	5.8 (2.6)		145 (44.2)
150 (45.7)	3.9 (1.8)	4.1 (1.9)	4.2 (1.9)	4.2 (1.9)	4.5 (2.0)	4.8 (2.2)	5.1 (2.3)	5.3 (2.4)		150 (45.7)
155 (47.2)	3.5 (1.6)	3.6 (1.6)	3.7 (1.7)	3.7 (1.7)	4.1 (1.9)	4.4 (2.0)	4.7 (2.1)	4.8 (2.2)		155 (47.2)
160 (48.8)	3.0 (1.4)	3.2 (1.5)	3.2 (1.5)	3.2 (1.5)	3.6 (1.6)	4.0 (1.8)	4.2 (1.9)	4.4 (2.0)		160 (48.8)
165 (50.3)	2.7 (1.2)	2.8 (1.3)			3.2 (1.5)	3.6 (1.6)	3.8 (1.7)	3.9 (1.8)		165 (50.3)
170 (51.8)	2.3 (1.0)	2.4 (1.1)			2.9 (1.3)	3.2 (1.5)	3.4 (1.5)			170 (51.8)
175 (53.3)					2.5 (1.1)	2.8 (1.3)	2.9 (1.3)			175 (53.3)
180 (54.9)					2.2 (1.0)	2.4 (1.1)	2.5 (1.1)			180 (54.9)
185 (56.4)					1.9 (0.9)	2.1 (1.0)	2.1 (1.0)			185 (56.4)
190 (57.9)					1.6 (0.7)	1.7 (0.8)				190 (57.9)
195 (59.4)					1.4 (0.6)	1.4 (0.6)				195 (59.4)

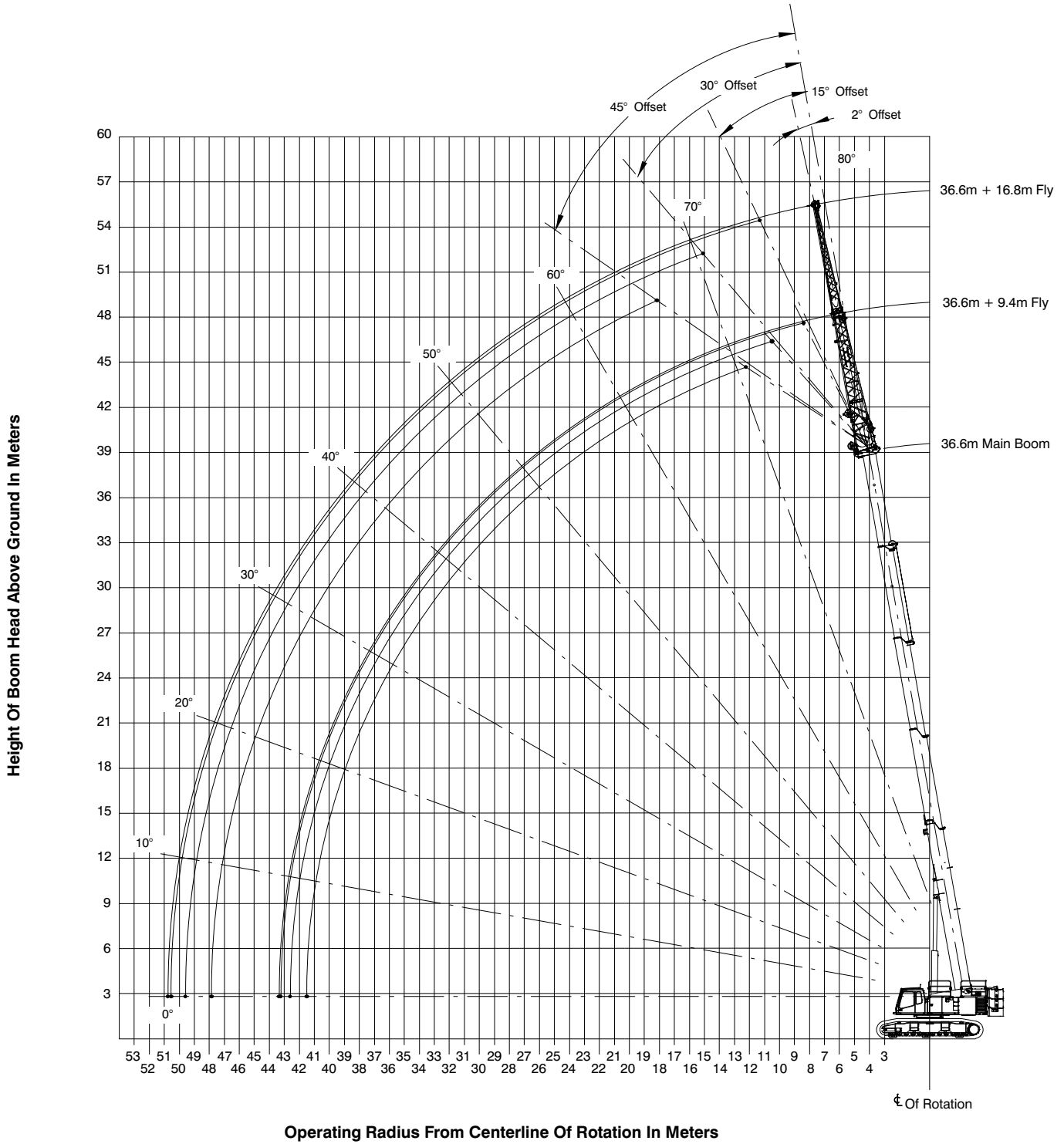
This material is supplied for reference use only. Operator must refer to in-cab Crane Rating Manual and Operator's Manual to determine allowable crane lifting capacities and assembly and operating procedures.

Working Range Diagrams – Metric

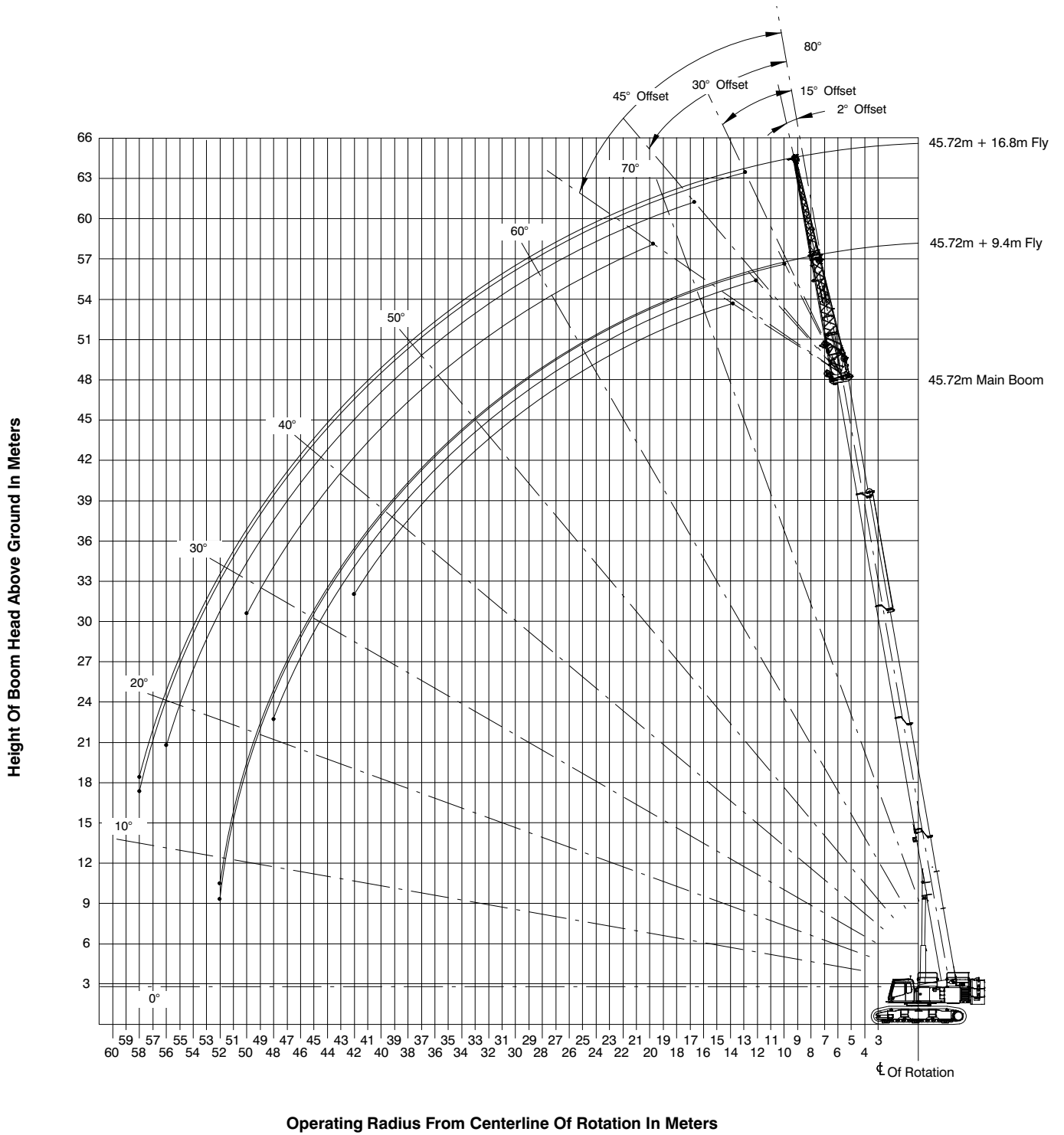
12.19–45.72m Main Boom + 3.1m Fly



36.6m Main Boom + 9.4–16.8m Fly



45.72m Main Boom + 9.4–16.8m Fly



Main Boom Load Charts – Metric

Main Boom Lift Capacity Chart – 360° Rotation – Fully Extended Tracks ABC+A [34 473kg] Counterweight [All capacities are listed in kips (mt)]															
Load Radius m	Main Boom													Load Radius m	
	Boom Length – m														
	12.19	15.2	18.3	21.3	24.4	27.4	28.96	30.5	33.5	36.6	37.34	39.6	42.7		45.72
3	110.0	48.60	47.80	46.00			"Amax1"				"Amax2"				3
3.5	91.80	48.60	47.80	46.00											3.5
4	80.30	48.60	47.80	46.00	45.95										4
4.5	71.40	48.60	47.80	46.00	44.20	37.10		25.60							4.5
5	64.20	48.60	47.80	46.00	41.50	37.10		25.60							5
6	53.50	48.60	47.80	46.00	37.05	33.55	29.85	25.60	25.40						6
7	45.90	48.60	47.80	42.40	33.30	30.25	29.05	25.60	25.40						7
8	40.10	41.65	41.35	38.40	30.15	27.40	26.30	24.75	25.40	26.30	17.20				8
9	34.60	34.45	34.30	34.10	27.55	25.00	24.00	24.25	25.40	23.55	17.20	22.30	17.40	13.60	9
10		29.15	29.00	28.85	25.20	24.70	22.00	24.25	24.75	21.70	17.20	20.55	17.40	13.60	10
12		21.85	21.80	23.50	23.65	23.00	18.70	23.00	21.30	18.65	15.40	17.70	17.00	13.60	12
14			18.40	18.40	18.85	18.95	16.10	18.30	18.35	16.25	13.50	15.40	14.85	13.60	14
16				15.30	15.50	15.65	13.50	14.95	15.00	14.30	12.00	13.55	13.05	12.50	16
18				12.75	12.95	13.10	11.05	12.85	12.50	12.50	10.75	12.00	11.55	11.10	18
20					11.00	11.15	9.15	11.25	10.65	10.60	9.65	10.60	10.30	10.00	20
22						9.60	7.65	9.70	9.65	9.10	8.75	9.15	9.15	9.10	22
24							8.35	6.40	8.45	8.55	7.85	7.90	7.90	7.90	24
26								5.35	7.40	7.50	6.80	7.30	6.85	6.85	26
28										6.60	5.90	6.70	5.95	6.00	28
30										5.85	5.15	5.95	5.20	5.25	30
32											4.50	5.30	4.55	4.60	32
34												4.70	4.00	4.00	34
36													3.50	3.50	36
38														3.05	38
40														2.65	40
42														2.35	42

This material is supplied for reference use only. Operator must refer to in-cab Crane Rating Manual and Operator's Manual to determine allowable crane lifting capacities and assembly and operating procedures.

Main Boom Lift Capacity Chart – 360° Rotation – Fully Extended Tracks ABC+A [34 473kg] Counterweight [All capacities are listed in kips (mt)]													
Load Radius m	Main Boom + 3.1m Manual Offset Fly (2° Offsets)												Load Radius m
	Boom Length – m												
	12.19	15.20	18.30	21.30	24.40	27.40	30.50	33.50	36.60	39.60	42.70	45.72	
3	28.30	23.55											3
3.5	28.30	23.55	23.55										3.5
4	28.30	23.55	23.55										4
4.5	28.30	23.55	23.55	24.00									4.5
5	28.30	23.55	23.55	24.00	24.00								5
6	28.15	23.55	23.55	24.00	24.00	24.90							6
7	26.40	23.55	23.55	24.00	24.00	24.90	25.40	27.20					7
8	24.90	23.55	23.55	24.00	24.00	24.90	25.40	25.15	23.50				8
9	23.60	23.55	23.55	24.00	24.00	24.90	25.40	23.35	21.65	17.75			9
10	22.55	23.55	23.55	24.00	24.00	24.90	25.40	21.75	19.95	17.75	14.10	10.95	10
12	21.10	22.85	23.10	23.05	23.05	22.95	22.90	19.10	17.25	16.35	14.10	10.95	12
14			18.35	18.30	18.30	18.25	18.20	17.05	15.05	14.25	13.70	10.95	14
16				14.95	14.95	14.90	14.85	14.85	13.20	12.50	12.05	10.95	16
18				12.45	12.40	12.40	12.35	12.35	11.70	11.05	10.37	9.05	18
20					10.50	10.15	10.45	10.40	10.40	9.85	9.45	9.05	20
22						8.95	8.95	8.95	8.95	8.85	8.50	8.20	22
24						7.70	7.70	7.70	7.70	7.70	7.60	7.30	24
26							6.65	6.65	6.65	6.65	6.65	6.55	26
28								5.80	5.75	5.75	5.75	5.75	28
30								5.05	5.00	5.00	5.00	5.00	30
32									4.35	4.35	4.35	4.35	32
34										3.80	3.80	3.75	34
36										3.30	3.30	3.30	36
38											2.85	2.85	38
40												2.45	40
42												2.10	42

This material is supplied for reference use only. Operator must refer to in-cab Crane Rating Manual and Operator's Manual to determine allowable crane lifting capacities and assembly and operating procedures.

Main Boom Lift Capacity Chart – 360° Rotation – Fully Extended Tracks														
ABC+A [34 473kg] Counterweight														
[All capacities are listed in kips (mt)]														
Load Radius m	Main Boom + 3.1m Manual Offset Fly (15° Offsets)												Load Radius m	
	Boom Length – m													
	12.19	15.20	18.30	21.30	24.40	27.40	30.50	33.50	36.60	39.60	42.70	45.72		
3	28.30	23.55												3
3.5	28.30	23.55	23.55											3.5
4	27.50	23.55	23.55											4
4.5	26.75	23.55	23.55	24.00										4.5
5	26.00	23.55	23.55	24.00										5
6	24.75	23.55	23.55	24.00	24.00	24.90								6
7	23.65	23.55	23.55	24.00	24.00	24.90	25.40	26.50						7
8	22.75	23.55	23.55	24.00	24.00	24.90	25.40	24.55	23.00					8
9	22.00	23.35	23.55	24.00	24.00	24.90	25.40	22.85	21.45	17.75				9
10	21.40	22.60	23.55	24.00	24.00	24.90	25.25	21.35	20.05	17.75	14.10	10.95		10
12	21.05	21.55	22.50	23.30	23.25	23.20	23.10	18.90	17.40	16.50	14.10	10.95		12
14		18.50	18.50	18.55	18.50	18.45	18.45	16.85	15.15	14.40	13.80	10.95		14
16				15.10	15.10	15.10	15.05	15.00	13.35	12.65	12.15	10.95		16
18				12.55	12.55	12.55	12.55	12.50	11.80	11.15	10.75	9.05		18
20					10.60	10.60	10.60	10.55	10.50	9.95	9.55	9.05		20
22						9.05	9.10	9.10	9.05	9.00	8.60	8.30		22
24						7.80	7.80	7.80	7.80	7.80	7.70	7.40		24
26							6.75	6.75	6.75	6.75	6.75	6.65		26
28								5.85	5.85	5.85	5.85	5.85		28
30								5.10	5.10	5.10	5.10	5.10		30
32									4.45	4.45	4.40	4.40		32
34										3.85	3.85	3.85		34
36										3.35	3.35	3.35		36
38											2.90	2.90		38
40												2.50		40
42												2.15		42

This material is supplied for reference use only. Operator must refer to in-cab Crane Rating Manual and Operator's Manual to determine allowable crane lifting capacities and assembly and operating procedures.

Main Boom Lift Capacity Chart – 360° Rotation – Fully Extended Tracks ABC+A [34 473kg] Counterweight [All capacities are listed in kips (mt)]													
Load Radius m	Main Boom + 3.1m Manual Offset Fly (30° Offsets)											Load Radius m	
	Boom Length – m												
	12.19	15.20	18.30	21.30	24.40	27.40	30.50	33.50	36.60	39.60	42.70		45.72
3	24.90	23.55											3
3.5	24.40	23.55	23.55										3.5
4	23.90	23.55	23.55										4
4.5	23.45	23.55	23.55	24.00									4.5
5	23.05	23.55	23.55	24.00									5
6	22.35	23.05	23.55	23.90	23.90	23.85							6
7	21.80	22.45	23.55	23.35	23.45	23.40	23.35						7
8	21.35	21.95	23.00	22.85	23.00	23.00	22.95	22.75					8
9	21.05	21.55	22.50	22.40	22.60	22.65	22.60	22.45	21.10	17.75			9
10	20.95	21.25	22.05	22.05	22.25	22.30	22.30	21.00	19.80	17.75	14.10		10
12	20.95	20.90	21.70	21.40	21.60	21.70	21.75	18.65	17.55	16.60	14.10	10.95	12
14		18.60	21.15	18.75	18.70	18.70	18.65	16.70	15.35	14.55	14.10	10.95	14
16			18.70	15.25	15.30	15.25	15.25	15.05	13.50	12.80	12.30	10.95	16
18				12.65	12.70	12.70	12.70	12.65	11.95	11.35	10.90	9.05	18
20					10.70	10.70	10.70	10.70	10.65	10.10	9.70	9.05	20
22						9.15	9.20	9.20	9.20	9.10	8.75	8.40	22
24						7.85	7.90	7.90	7.90	7.90	7.85	7.55	24
26							6.80	6.80	6.85	6.85	6.85	6.75	26
28								5.90	5.90	5.95	5.95	5.95	28
30									5.15	5.15	5.15	5.15	30
32									4.50	4.50	4.50	4.50	32
34										3.90	3.90	3.90	34
36											3.40	3.40	36
38											2.95	2.95	38
40												2.50	40

This material is supplied for reference use only. Operator must refer to in-cab Crane Rating Manual and Operator’s Manual to determine allowable crane lifting capacities and assembly and operating procedures.

Main Boom Lift Capacity Chart – 360° Rotation – Fully Extended Tracks													
ABC+A [34 473kg] Counterweight													
[All capacities are listed in kips (mt)]													
Load Radius m	Main Boom + 3.1m Manual Offset Fly (45° Offsets)												Load Radius m
	Boom Length – m												
	12.19	15.20	18.30	21.30	24.40	27.40	30.50	33.50	36.60	39.60	42.70	45.72	
3													3
3.5	22.15												3.5
4	21.85	22.15											4
4.5	21.65	21.90	22.10										4.5
5	21.45	21.75	21.90										5
6	21.15	21.40	21.60	21.70	21.65	21.55							6
7	20.95	21.15	21.30	21.40	21.40	21.35	21.20						7
8	20.90	20.95	21.10	21.20	21.20	21.10	21.00	20.85					8
9	20.90	20.90	20.95	21.00	21.00	20.95	20.00	20.70	20.20				9
10	20.90	20.90	20.85	20.90	20.85	20.80	85.00	20.55	19.65	17.85			10
12		20.90	20.85	20.75	20.65	20.60	20.70	18.55	17.45	16.55	14.15	11.05	12
14				18.85	18.80	18.80	20.50	16.65	15.55	14.75	14.10	11.05	14
16				15.35	15.40	15.40	18.80	15.00	14.635	12.95	12.50	11.05	16
18					12.80	12.80	15.40	12.80	12.10	11.50	11.05	10.65	18
20						10.80	12.80	10.80	10.80	10.20	9.80	9.20	20
22							10.80	9.30	9.30	9.20	8.85	8.55	22
24							9.25	7.95	8.00	8.00	7.95	7.65	24
26									6.90	6.90	6.90	6.85	26
28										6.00	6.00	6.00	28
30											5.20	5.20	30
32												4.55	32

This material is supplied for reference use only. Operator must refer to in-cab Crane Rating Manual and Operator's Manual to determine allowable crane lifting capacities and assembly and operating procedures.

Jib Attachment Load Charts – Metric

Main Boom Lift Capacity Chart – 360° Rotation – Fully Extended Tracks ABC+A [34 473kg] Counterweight [All capacities are listed in kips (mt)]									
Load Radius m	36.6m Main Boom Length								Load Radius m
	9.4m Manual Offset Fly				16.8m Manual Offset Fly				
	2°	15°	30°	45°	2°	15°	30°	45°	
10	13.10				6.25				10
12	12.30	9.25			5.95				12
14	11.60	8.85	7.60		5.70				14
16	10.95	8.50	7.40	6.70	5.45	4.65			16
18	10.35	8.20	7.20	6.55	5.20	4.50			18
20	9.10	7.90	7.00	6.45	5.00	4.30	3.75		20
22	8.70	7.65	6.85	6.40	4.80	4.15	3.65	3.35	22
24	8.05	7.40	6.70	6.35	4.60	4.05	3.60	3.30	24
26	7.05	7.20	6.55	6.30	4.45	3.90	3.50	3.25	26
28	6.15	6.40	6.45	6.30	4.25	3.80	3.40	3.20	28
30	5.40	5.60	5.80	5.95	4.10	3.70	3.35	3.15	30
32	5.75	4.95	5.10	5.20	3.95	3.60	3.30	3.15	32
34	4.20	4.35	4.50	4.55	3.85	3.50	3.25	3.15	34
36	3.70	3.85	3.95		3.70	3.40	3.20	3.15	36
38	3.25	3.35	3.45		3.60	3.35	3.20	3.15	38
40	2.85	2.95	3.00		3.25	3.30	3.15	3.15	40
42	2.50	2.55			2.90	3.05	3.15	3.15	42
44					2.55	2.70	2.80		44
46					2.25	2.40	2.45		46
48					2.00	2.10			48

This material is supplied for reference use only. Operator must refer to in-cab Crane Rating Manual and Operator's Manual to determine allowable crane lifting capacities and assembly and operating procedures.

Main Boom Lift Capacity Chart – 360° Rotation – Fully Extended Tracks ABC+A [34 473kg] Counterweight [All capacities are listed in kips (mt)]									
Load Radius m	45.72m Main Boom Length								Load Radius m
	9.4m Manual Offset Fly				16.8m Manual Offset Fly				
	2°	15°	30°	45°	2°	15°	30°	45°	
12	7.35								3
14	7.35	7.35			4.55				3.5
16	7.35	7.35	6.65		4.40				4
18	7.35	7.20	6.55	6.10	4.30	3.85			4.5
20	7.35	7.10	6.45	6.05	4.20	3.75			5
22	7.35	6.95	6.35	6.00	4.10	3.65	3.30		6
24	6.90	6.80	6.25	5.95	4.00	3.60	3.25		7
26	6.20	6.40	6.15	5.90	3.90	3.50	3.20	3.00	8
28	5.60	5.75	5.95	5.90	3.85	3.45	3.15	2.95	9
30	5.00	5.20	5.35	5.55	3.75	3.35	3.10	2.95	10
32	4.50	4.70	4.85	4.95	3.65	3.30	3.50	2.90	12
34	4.00	4.20	4.35	4.50	3.60	3.25	3.00	2.90	14
36	3.50	3.70	3.85	3.95	3.50	3.20	3.00	2.90	16
38	3.10	3.25	3.35	3.45	3.15	3.15	2.95	2.90	18
40	2.70	2.80	2.95	3.00	2.85	3.00	2.95	2.90	20
42	2.35	2.45	2.55	2.60	2.55	2.70	2.85	2.90	22
44	2.00	2.10	2.20		2.25	2.40	2.55	2.70	24
46	1.75	1.80	1.85		2.00	2.15	2.30	2.35	26
48	1.45	1.55	1.55		1.75	1.90	2.00	2.10	28
50	1.25	1.30			1.50	1.65	1.75	1.80	30
52	1.05	1.05			1.30	1.40	1.50		32
54					1.10	1.20	1.25		34
56					0.90	0.95	1.00		36
58					0.75	0.75			38

This material is supplied for reference use only. Operator must refer to in-cab Crane Rating Manual and Operator's Manual to determine allowable crane lifting capacities and assembly and operating procedures.

This Page Intentionally Blank

Link-Belt Cranes Lexington, Kentucky www.linkbelt.com

®Link-Belt is a registered trademark. Copyright 2019. We are constantly improving our products and therefore reserve the right to change designs and specifications.