

# Igo 36

## product guide



### features

- 8,818 lb (4 000 kg) maximum capacity
- 2,425 lb (1 100 kg) capacity at 105 ft. (32 m) radius
- 105 ft (32 m) maximum operating hook radius
- 101 ft (30.8 m) maximum hook height with jib set at 20°
- 72 ft (22 m) maximum hook height with jib horizontal

### contents

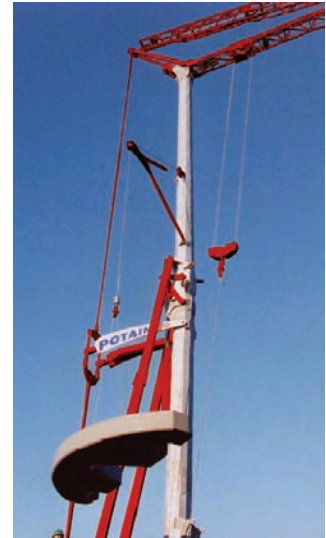
Features	2
Specifications	3
Transport	4
Weights	5
Dimensions	6
Crane Profile	7
Load Charts	8
Metric Dimensions	12
Metric Crane Profile	13
Metric Load Charts	14
Mechanical Data	18
Symbols Glossary	19

# features

2



The Igo 36's limited space requirement and quiet operation make it the ideal choice for many jobsites including this four story housing site in the mountains of Colorado.



The optional ballasting derrick allows the operator to easily and precisely place the counterweight in position.



Two operating outrigger footprints are available for the Igo 36: square (13.1 x 13.1 ft [4 x 4 m]) and rectangular\* (11.5 x 14.5 ft [3.5 x 4.42 m]).



Optional transport axles for site and highway applications are able to be removed without the assistance of another crane.



Wireless radio remote control with indicators allows operation of the unit within an approximate three-hundred foot radius.

\*Requires additional ballast.

# specifications

3

## Jib

82 ft (25 m) radius folding offsettable lattice jib standard. One (1) tie bar line with adjustable lengths allows jib to be offset 8° and 20°. Folds to 46 ft (13.9 m) radius when horizontal. Two (2) erecting speeds controlled from the remote, opening and aligning are carried out automatically by two (2) hydraulic cylinders.

## \*Optional Jib Extensions

Radii of 92 ft (28 m) and 105 ft (32 m) are achievable with optional removable jib extensions of 10 ft (3 m) and 13 ft (4 m). Maximum radius is 105 ft (32 m).

## Mast

Galvanized folding mast with hydraulic cylinder for erection. Two (2) erecting speeds controlled from the remote. No locking necessary. 360° rotation possible during erection.

## Chassis

Outriggers swing and lock into position. Two outrigger spreads possible: 13.1 ft x 13.1 ft (4 m x 4 m) or 11.5 ft x 14.5 ft (3.5 m x 4.42 m) both with 7.2 ft (2.2 m) slewing radius. Level bubble integrated into the chassis. Outrigger pads are stowed on the crane during transport (15 in x 15.7 in [380 mm x 400 mm]). \*Optional outrigger pads available at heights of 8.7 in (220 mm) and 15.7 in (400 mm).

## Ballast

11,464 lb (5 200 kg) ballast standard. Crane with standard ballast is able to be transported on several \*axle sets. \*Additional ballast available for a total of 46,738 lb (21 200 kg) for square outrigger spread or 53,793 lb (24 400 kg) for optional rectangular outrigger spread.

## \*Optional Hydraulic Ballasting Derrick

Uses the hoisting winch to ballast the crane or dismantle/attach \*fifth-wheel. Stows alongside the jib during transport.

## Electrical Requirement

480 volt, 60 Hz measured at the turntable. Earth rod and electric cable stowed on the crane during transport.

## Reeving

SM/DM block for 2 or 4-part line. One pin removal to change between SM and DM. Pure SM1 (section of hook block removed) is possible with gain of 220 lb (100 kg) lifting capacity.

## Controls

Wireless remote control provides information to the operator about \*\*wind speed, radius, hook height, load, and moment. Lights and buzzers alert the operator when nearing limits of operation.

Auxiliary remote attached by umbilical cord ensures continual operation in case of battery or other malfunction of the wireless remote control.

\*Denotes optional equipment

## \*Optional Anemometer

Electronic wind speed meter to alert the operator of wind speed conditions. Provides selective display on the radio remote. Crane can be erected in wind speeds up to 25 MPH (40 KPH), operated in speeds up to 45 MPH (72 KPH) and weather vaned in winds up to 93 MPH (150 KPH).

## Swing

RVF+41 slewing mechanism with maximum swing speed of 0.8 RPM. Progressive control of speed with counter-slewing possible, anti-load swinging system makes aligning the load and jib easier. Multiple RPM speeds possible depending upon parameter selected.

## Hoist

15 LVF 10 Optima: 15 HP variable frequency hoist with 1.1 UST (1 t) line pull. 3 notch, progressive speed change according to the accelerating or decelerating ramps. Optima allows the hoist to adapt its speed to the weight of the load.

## Trolley

3 DVF 5: 3 HP variable frequency hoist with 1,102 lb (500 kg) line pull. 2 notch winch, progressive speed change according to acceleration or deceleration ramps controlled by the frequency converter.

## Hydraulic Equipment

Cylinders for erecting the crane linked to solenoid valves. One (1) cylinder for unfolding the jib and one (1) for raising the mast.

## \*Optional Transport Axle Sets

Axle sets are available for both jobsite and highway applications. Jobsite axles are rated at either 6 MPH (10 KPH) or 15.5 MPH (25 KPH); highway axle set is rated at 50 MPH (80 KPH).

## \*Optional Equipment

- \* STANDARD NORTH AMERICAN SPECIFICATION: includes 105 ft (32 m) jib radius, additional lateral ballast blocks, hydraulic ballasting derrick, high sole plates, Dialog Wind and container preparation.
- \* 92 ft (28 m) jib radius
- \* 105 ft (32 m) maximum jib radius
- \* High outrigger pads to be used with transport axles.
- \* Very high outrigger pads (15" x 15.7" [380 x 400 mm] – 8.7" [220 mm] height)
- \* Transport axles and kits
- \* Top Zone
- \* Top Tracing
- \* Dialog Wind

Consult price list for additional options

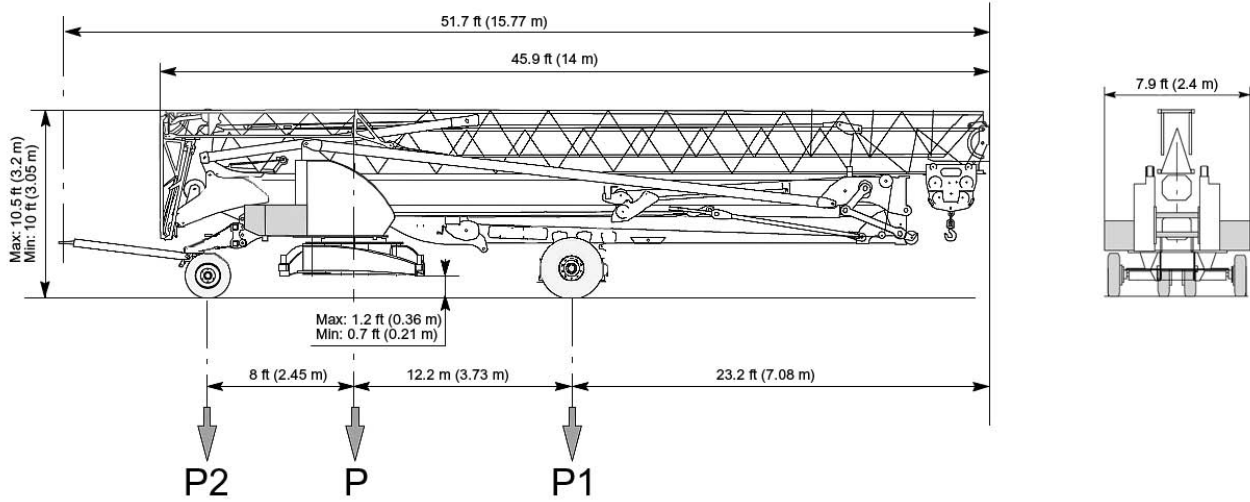
\*\*Requires optional anemometer

Igo 36

4

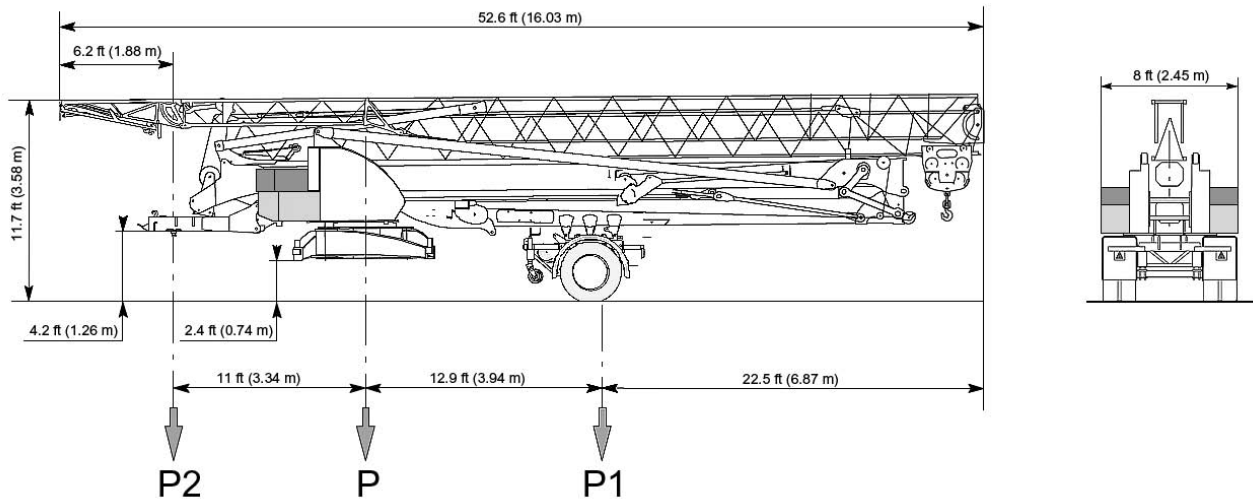
## DS61 / S120

6 MPH / 10 KPH



## SL121 / J135

15.5 MPH / 25 KPH

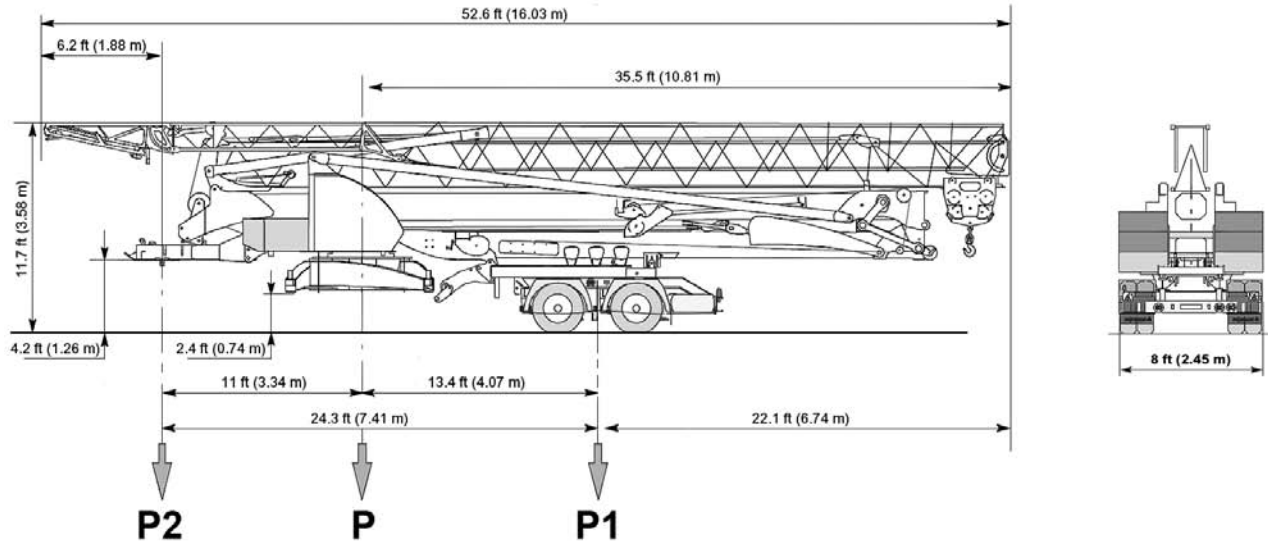


NOTE: Dimensions and weights may vary due to manufacturing tolerances.

## SL122 / J215M

50 MPH / 80 KPH

5



\*Other axle sets are available.

### Chassis Data (in transport position)

	DS61 / S120		SL121 / J135		SL122 / J215M	
	15.5 MPH / 25 KPH		15.5 MPH / 25 KPH		50 MPH / 80 KPH	
	(feet)	(meters)	(feet)	(meters)	(feet)	(meters)
<b>Overall Length</b>	51.7	15.77	52.6	16.03	52.6	16.03
<b>Overall Height</b>	Max: 10.5 Min: 10	Max: 3.20 Min: 3.05	11.7	3.58	11.7	3.58
<b>Overall Width</b>	7.9	2.4	8	2.45	8	2.45
<b>Overhang</b>	23.2	7.08	22.5	6.87	22.1	6.74

### Weights

<b>Crane Weight less Counterweight:</b>	22,928 lb	10 400 kg
<b>Counterweight for Operation:</b>	46,737 lb	21 200 kg
*Square footprint		
<b>Crane with Counterweight:</b>	69,665 lb	31 600 kg

### Crane with Transport Equipment

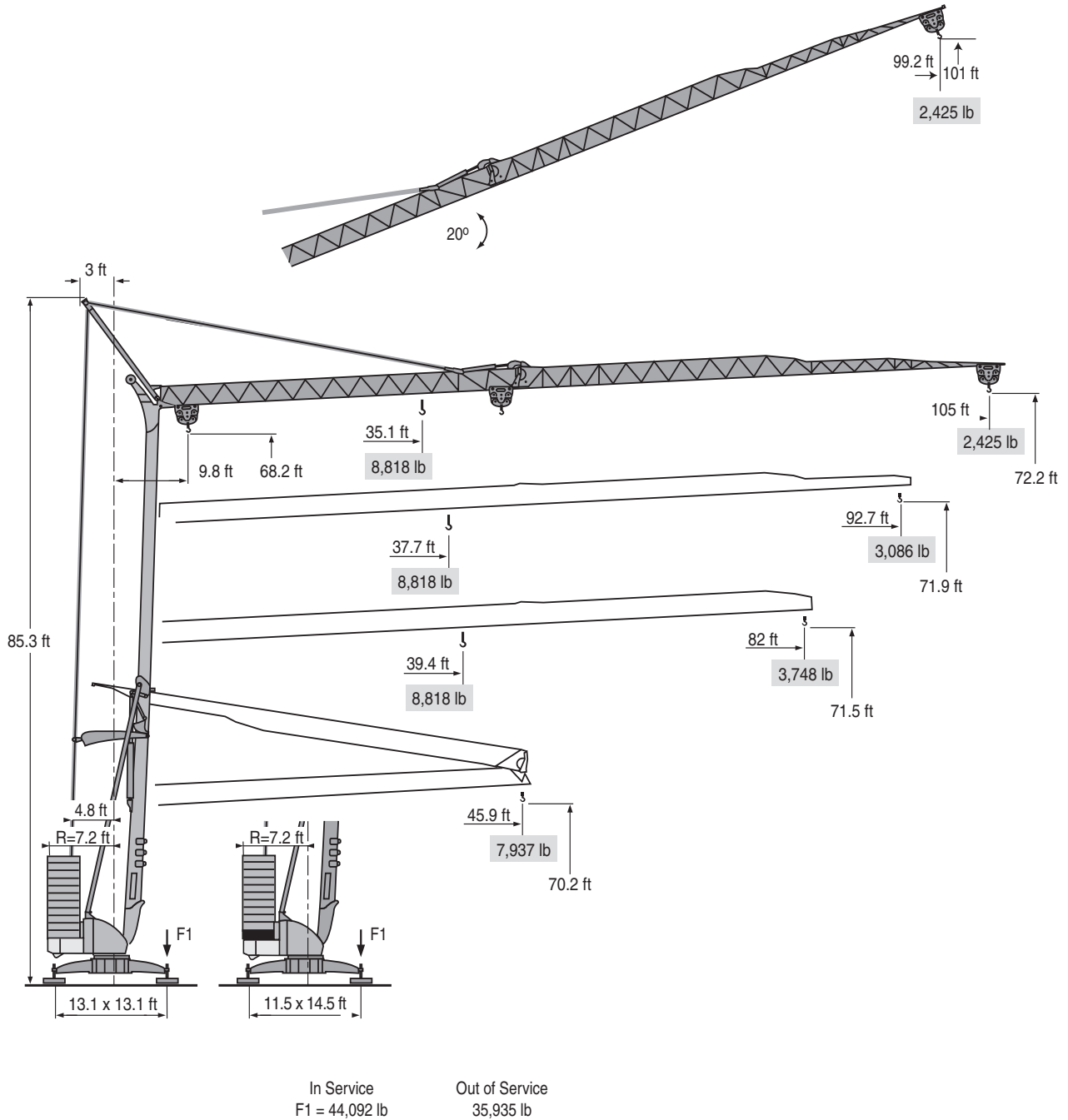
	DS61 / S120		SL121 / J135		SL122 / J215M	
	6 MPH / 10 KPH		15.5 MPH / 25 KPH		50 MPH / 80 KPH	
	(pounds)	(kilograms)	(pounds)	(kilograms)	(pounds)	(kilograms)
<b>In Transport with minimal counterweight:</b>						
<b>Gross (P)</b>	36,068	16 360	45,602	20 685	55,016	24 955
<b>Rear (P1)</b>	22,884	10 380	28,131	12 760	31,742	14 398
<b>Front (P2)</b>	13,184	5 980	17,471	7 925	23,274	10 557
<b>Counterweight in transport:</b>	11,464	5 200	18,519	8 400	25,573	11 600

NOTE: Dimensions and weights may vary due to manufacturing tolerances.



# dimensions

6

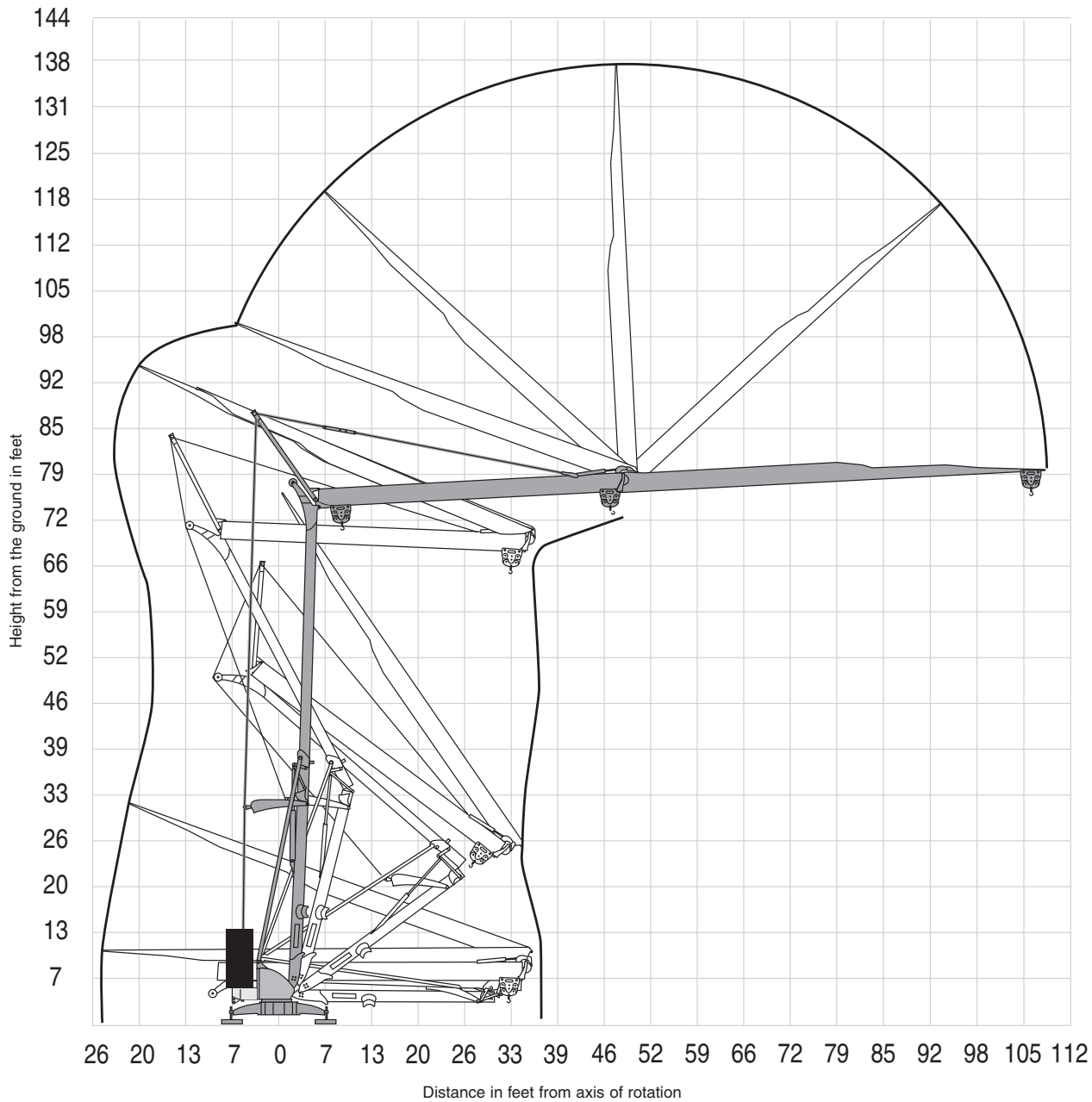


Igo 36

THIS CHART IS ONLY A GUIDE AND SHOULD NOT BE USED TO OPERATE THE CRANE. The individual crane's load chart, operating instructions and other instructional plates must be read and understood prior to operating the crane.

# crane profile

7



THIS CHART IS ONLY A GUIDE AND SHOULD NOT BE USED TO OPERATE THE CRANE. The individual crane's load chart, operating instructions and other instructional plates must be read and understood prior to operating the crane.

Igo 36

# load charts

8



**Jib Configuration: L32 with maximum hook reach of 105'-0" at 0°**

Hook Reach	9'-10"	35'-1"	36'-1"	39'-4"	42'-6"	45'-11"	49'-3"	52'-6"	55'-9"	59'-1"	62'-4"	64'-0"	65'-7"	68'-11"	72'-2"	75'-6"	78'-9"	82'-0"	85'-4"	88'-7"	91'-10"	95'-2"	98'-5"	101'-8"	105'-0"
Reeving	Capacities (lbs)																								
SM	4,409	4,409	4,409	4,409	4,409	4,409	4,409	4,409	4,409	4,409	4,409	4,409	4,277	4,032	3,814	3,616	3,435	3,269	3,120	2,981	2,853	2,734	2,624	2,520	2,425
DM	8,818	8,818	8,832	7,628	6,889	6,272	5,750	5,304	4,916	4,577	4,279	4,146	4,012	3,774	3,560	3,366	3,190	3,029	2,884	2,747	2,621	2,507	2,399	2,297	2,205

Maximum Hook Heights at Jib Tip: H = 72'-2"  
Maximum Hook Heights at Jib Foot: H = 68'-3"



**Jib Configuration: L23 with maximum hook reach of 92'-8" at 0°**

Hook Reach	9'-10"	37'-9"	39'-4"	42'-6"	45'-11"	49'-3"	52'-6"	55'-9"	59'-1"	62'-4"	65'-7"	68'-9"	68'-11"	72'-2"	75'-6"	78'-9"	82'-0"	85'-4"	88'-7"	91'-10"	92'-8"
Reeving	Capacities (lbs)																				
SM	4,409	4,409	4,409	4,409	4,409	4,409	4,409	4,409	4,409	4,409	4,409	4,409	4,398	4,162	3,946	3,750	3,571	3,408	3,258	3,120	3,086
DM	8,818	8,818	8,349	7,544	6,874	6,305	5,818	5,397	5,029	4,702	4,414	4,164	4,154	3,922	3,710	3,519	3,344	3,183	3,036	2,899	2,866

Maximum Hook Heights at Jib Tip: H = 71'-10"  
Maximum Hook Heights at Jib Foot: H = 68'-3"



**Jib Configuration: L25 with maximum hook reach of 82'-0" at 0°**

Hook Reach	9'-10"	39'-2"	39'-4"	42'-6"	45'-11"	49'-3"	52'-6"	55'-9"	59'-1"	62'-4"	65'-7"	68'-11"	71'-6"	72'-2"	75'-6"	78'-9"	82'-0"
Reeving	Capacities (lbs)																
SM	4,409	4,409	4,409	4,409	4,409	4,409	4,409	4,409	4,409	4,409	4,409	4,409	4,409	4,363	4,138	3,935	3,748
DM	8,818	8,818	8,772	7,928	7,227	6,632	6,120	5,679	5,293	4,952	4,647	4,376	4,182	4,134	3,911	3,710	3,527

Maximum Hook Heights at Jib Tip: H = 71'-6"  
Maximum Hook Heights at Jib Foot: H = 68'-3"



**Jib Configuration: L32 with maximum hook reach of 45'-11" at 0°**

Hook Reach	9'-10"	42'-3"	42'-6"	45'-11"
Reeving	Capacities (lbs)			
SM1	4,409	4,409	4,409	4,409
SM	4,409	4,409	4,409	4,409
DM	8,818	8,818	8,704	7,937

Maximum Hook Heights at Jib Tip: H = 69'-11"  
Maximum Hook Heights at Jib Foot: H = 68'-3"



**Jib Configuration: L23 with maximum hook reach of 45'-11" at 0°**

Hook Reach	9'-10"	42'-3"	42'-6"	45'-11"
Reeving	Capacities (lbs)			
SM1	4,409	4,409	4,409	4,409
SM	4,409	4,409	4,409	4,409
DM	8,818	8,818	8,704	7,937

Maximum Hook Heights at Jib Tip: H = 69'-11"  
Maximum Hook Heights at Jib Foot: H = 68'-3"

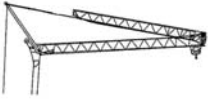
Igo 36

THIS CHART IS ONLY A GUIDE AND SHOULD NOT BE USED TO OPERATE THE CRANE. The individual crane's load chart, operating instructions and other instructional plates must be read and understood prior to operating the crane.



# load charts

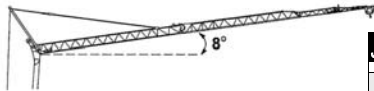
9



**Jib Configuration: L25 with maximum hook reach of 45'-11" at 0°**

Hook Reach	9'-10"	42'-3"	42'-6"	45'-11"					
Reeving	Capacities (lbs)								
SM1	4,409	4,409	4,409	4,409					
SM	4,409	4,409	4,409	4,409					
DM	8,818	8,818	8,704	7,937					

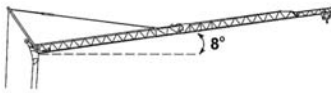
Maximum Hook Heights at Jib Tip: H = 69'-11"  
 Maximum Hook Heights at Jib Foot: H = 68'-3"



**Jib Configuration: L32 with maximum hook reach of 104'-0" at 8°**

Hook Reach	9'-10"	60'-0"	62'-4"	63'-11"	65'-7"	68'-11"	72'-2"	75'-6"	78'-9"	82'-0"	85'-4"	88'-7"	91'-10"	95'-2"	98'-5"	101'-8"	104'-0"
Reeving	Capacities (lbs)																
SM1	4,409	4,409	4,409	4,409	4,275	4,032	3,812	3,613	3,435	3,269	3,117	2,978	2,851	2,734	2,624	2,520	2,425
SM	4,409	4,409	4,204	4,086	3,964	3,713	3,503	3,314	3,142	2,985	2,840	2,707	2,586	2,471	2,366	2,269	2,205

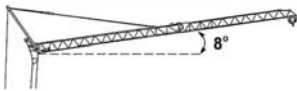
Maximum Hook Heights at Jib Tip: H = 81'-0"  
 Maximum Hook Heights at Jib Foot: H = 68'-3"



**Jib Configuration: L28 with maximum hook reach of 91'-10" at 8°**

Hook Reach	9'-10"	64'-11"	65'-7"	68'-2"	68'-11"	72'-2"	75'-6"	78'-9"	82'-0"	85'-4"	88'-7"	91'-10"
Reeving	Capacities (lbs)											
SM1	4,409	4,409	4,409	4,409	4,354	4,118	3,904	3,713	3,534	3,373	3,223	3,086
SM	4,409	4,409	4,350	4,152	4,096	3,889	3,662	3,472	3,303	3,144	3,000	2,866

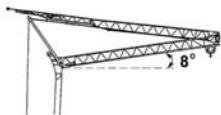
Maximum Hook Heights at Jib Tip: H = 79'-5"  
 Maximum Hook Heights at Jib Foot: H = 68'-3"



**Jib Configuration: L25 with maximum hook reach of 81'-4" at 8°**

Hook Reach	9'-10"	67'-10"	68'-11"	71'-0"	72'-2"	75'-6"	78'-9"	81'-4"
Reeving	Capacities (lbs)							
SM1	4,409	4,409	4,409	4,409	4,323	4,101	3,898	3,748
SM	4,409	4,409	4,328	4,174	4,087	3,871	3,673	3,527

Maximum Hook Heights at Jib Tip: H = 77'-9"  
 Maximum Hook Heights at Jib Foot: H = 68'-3"



**Jib Configuration: L32 with maximum hook reach of 45'-7" at 8°**

Hook Reach	9'-10"	45'-7"						
Reeving	Capacities (lbs)							
SM1	4,409	4,409						
SM	4,409	4,409						

Maximum Hook Heights at Jib Tip: H = 72'-10"  
 Maximum Hook Heights at Jib Foot: H = 68'-3"

THIS CHART IS ONLY A GUIDE AND SHOULD NOT BE USED TO OPERATE THE CRANE. The individual crane's load chart, operating instructions and other instructional plates must be read and understood prior to operating the crane.

Igo 36

# load charts

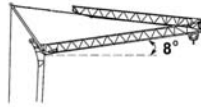
10



**Jib Configuration: L28 with maximum hook reach of 45'-7" at 8°**

Hook Reach	9'-10"	45'-7"	Capacities (lbs)							
Reeving										
SM1	4,409	4,409								
SM	4,409	4,409								

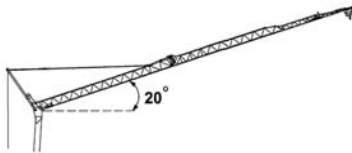
Maximum Hook Heights at Jib Tip: H = 72'-10"  
Maximum Hook Heights at Jib Foot: H = 68'-3"



**Jib Configuration: L25 with maximum hook reach of 45'-7" at 8°**

Hook Reach	9'-10"	45'-7"	Capacities (lbs)							
Reeving										
SM1	4,409	4,409								
SM	4,409	4,409								

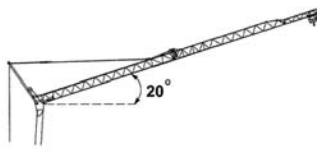
Maximum Hook Heights at Jib Tip: H = 72'-10"  
Maximum Hook Heights at Jib Foot: H = 68'-3"



**Jib Configuration: L32 with maximum hook reach of 99'-3" at 20°**

Hook Reach	9'-10"	99'-3"	Capacities (lbs)							
Reeving										
SM1	2,425	2,425								
SM	2,205	2,205								

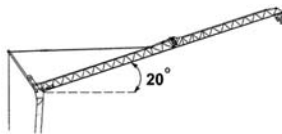
Maximum Hook Heights at Jib Tip: H = 100'-9"  
Maximum Hook Heights at Jib Foot: H = 68'-3"



**Jib Configuration: L28 with maximum hook reach of 86'-11" at 20°**

Hook Reach	9'-10"	86'-11"	Capacities (lbs)							
Reeving										
SM1	2,425	2,425								
SM	2,205	2,205								

Maximum Hook Heights at Jib Tip: H = 96'-5"  
Maximum Hook Heights at Jib Foot: H = 68'-3"



**Jib Configuration: L25 with maximum hook reach of 77'-9" at 20°**

Hook Reach	9'-10"	77'-9"	Capacities (lbs)							
Reeving										
SM1	2,425	2,425								
SM	2,205	2,205								

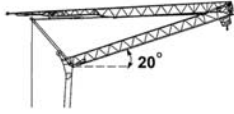
Maximum Hook Heights at Jib Tip: H = 92'-10"  
Maximum Hook Heights at Jib Foot: H = 68'-3"

Igo 36

THIS CHART IS ONLY A GUIDE AND SHOULD NOT BE USED TO OPERATE THE CRANE. The individual crane's load chart, operating instructions and other instructional plates must be read and understood prior to operating the crane.

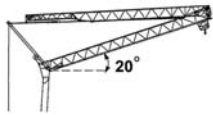
# load charts

11



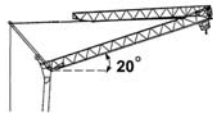
Jib Configuration: L32 with maximum hook reach of 43'-6" at 20°									
Hook Reach	9'-10"	43'-6"							
Reeving	Capacities (lbs)								
SM1	2,425	2,425							
SM	2,205	2,205							

Maximum Hook Heights at Jib Tip: H = 80'-9"  
Maximum Hook Heights at Jib Foot: H = 68'-3"



Jib Configuration: L28 with maximum hook reach of 43'-6" at 20°									
Hook Reach	9'-10"	43'-6"							
Reeving	Capacities (lbs)								
SM1	2,425	2,425							
SM	2,205	2,205							

Maximum Hook Heights at Jib Tip: H = 80'-9"  
Maximum Hook Heights at Jib Foot: H = 68'-3"



Jib Configuration: L25 with maximum hook reach of 43'-6" at 20°									
Hook Reach	9'-10"	43'-6"							
Reeving	Capacities (lbs)								
SM1	2,425	2,425							
SM	2,205	2,205							

Maximum Hook Heights at Jib Tip: H = 80'-9"  
Maximum Hook Heights at Jib Foot: H = 68'-3"

## Jib Configurations

- L32 (105 ft / 32 m) = standard jib with first (10 ft / 3 m) and second jib extension (13 ft / 4 m)
- L28 (92 ft / 28 m) = standard jib with first jib extension (10 ft / 3 m)
- L25 (82 ft / 25 m) = standard jib

## Reeving Abbreviations

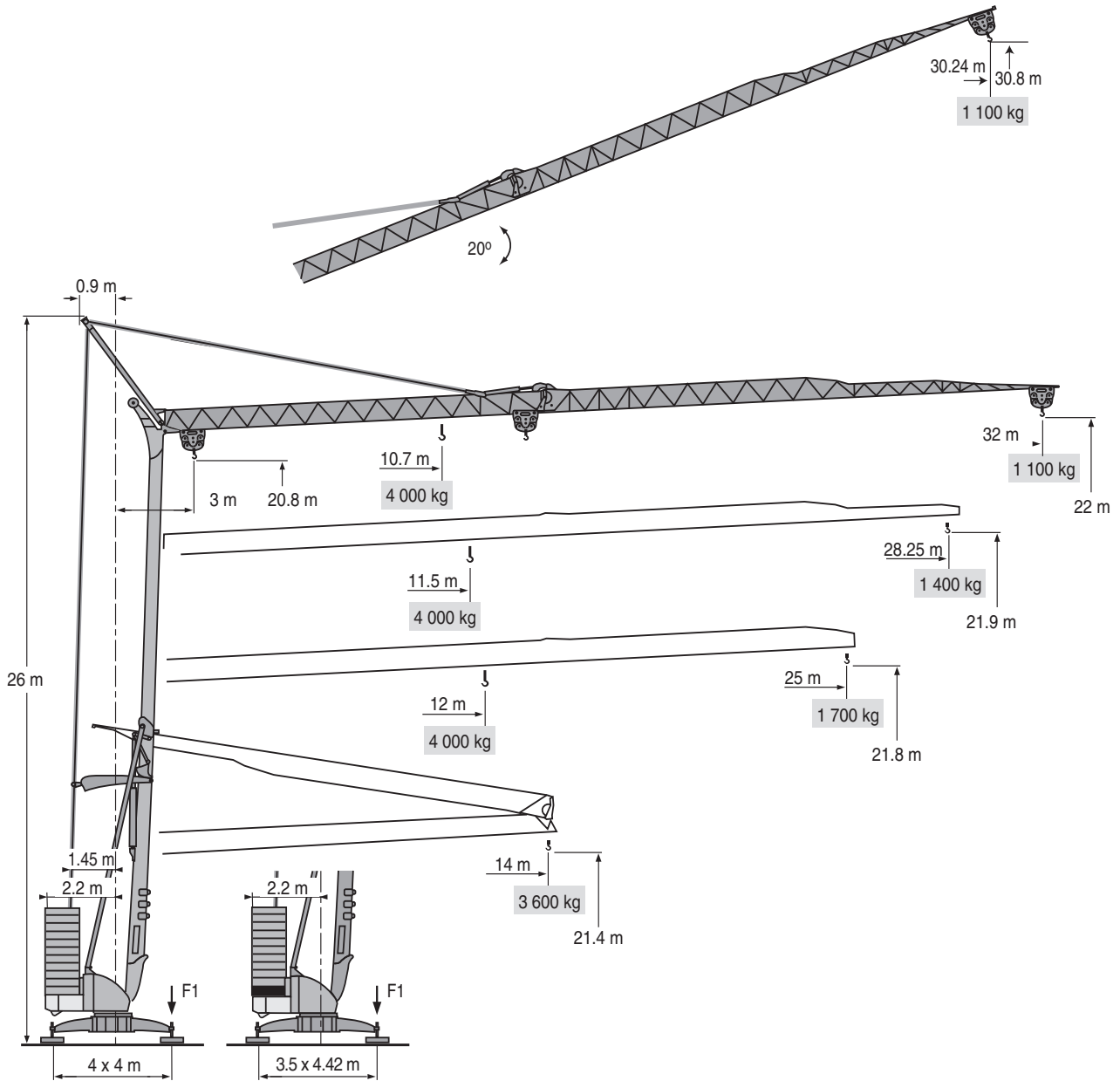
- SM1 = 2-part line configuration with section of hookblock removed
- SM = 2-part line configuration with section of hookblock stowed at jib
- DM = 4-part line configuration

THIS CHART IS ONLY A GUIDE AND SHOULD NOT BE USED TO OPERATE THE CRANE. The individual crane's load chart, operating instructions and other instructional plates must be read and understood prior to operating the crane.

Igo 36

# metric dimensions

12



In Service  
F1 = 20,000 kg

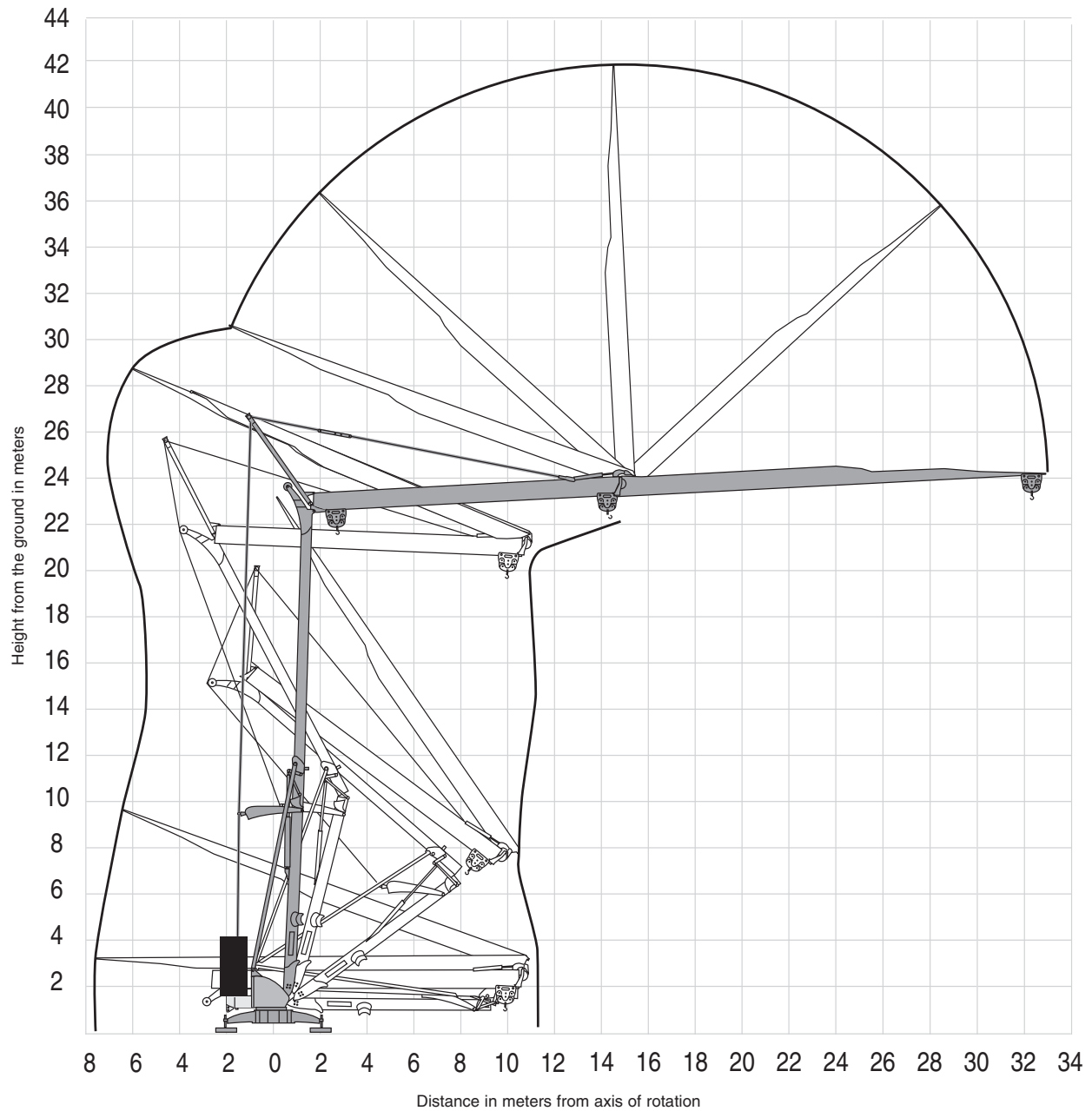
Out of Service  
16,300 kg

Igo 36

THIS CHART IS ONLY A GUIDE AND SHOULD NOT BE USED TO OPERATE THE CRANE. The individual crane's load chart, operating instructions and other instructional plates must be read and understood prior to operating the crane.

# metric crane profile

13



THIS CHART IS ONLY A GUIDE AND SHOULD NOT BE USED TO OPERATE THE CRANE. The individual crane's load chart, operating instructions and other instructional plates must be read and understood prior to operating the crane.

Igo 50

# metric load charts

14



**Jib Configuration: L32 with maximum hook reach of 32 m at 0°**

Hook Reach	3	10.7	11	12	13	14	15	16	17	18	19	19.5	20	21	22	23	24	25	26	27	28	29	30	31	32
Reeving	Capacities (kg)																								
SM	2,000	2,000	2,000	2,000	2,000	2,000	2,000	2,000	2,000	2,000	2,000	2,000	1,940	1,829	1,730	1,640	1,558	1,483	1,415	1,352	1,294	1,240	1,190	1,143	1,100
DM	4,000	4,000	3,870	3,460	3,125	2,845	2,608	2,406	2,230	2,076	1,941	1,881	1,820	1,712	1,615	1,527	1,447	1,374	1,308	1,246	1,189	1,137	1,088	1,042	1,000

Maximum Hook Heights at Jib Tip: H = 22 m  
Maximum Hook Heights at Jib Foot: H = 20.8 m



**Jib Configuration: L28 with maximum hook reach of 28.3 m at 0°**

Hook Reach	3	11.5	12	13	14	15	16	17	18	19	20	20.9	21	22	23	24	25	26	27	28	28.3
Reeving	Capacities (kg)																				
SM	2,000	2,000	2,000	2,000	2,000	2,000	2,000	2,000	2,000	2,000	2,000	2,000	2,000	1,890	1,790	1,701	1,620	1,546	1,480	1,415	1,400
DM	4,000	4,000	3,790	3,420	3,120	2,860	2,640	2,450	2,280	2,135	2,000	1,889	1,885	1,780	1,683	1,596	1,517	1,444	1,377	1,315	1,300

Maximum Hook Heights at Jib Tip: H = 21.9 m  
Maximum Hook Heights at Jib Foot: H = 20.8 m



**Jib Configuration: L25 with maximum hook reach of 25 m at 0°**

Hook Reach	3	11.9	12	13	14	15	16	17	18	19	20	21	21.8	22	23	24	25
Reeving	Capacities (kg)																
SM	2,000	2,000	2,000	2,000	2,000	2,000	2,000	2,000	2,000	2,000	2,000	2,000	2,000	1,979	1,875	1,785	1,700
DM	4,000	4,000	4,000	3,600	3,280	3,010	2,775	2,580	2,400	2,250	2,110	1,985	1,897	1,875	1,775	1,683	1,600

Maximum Hook Heights at Jib Tip: H = 21.8 m  
Maximum Hook Heights at Jib Foot: H = 20.8 m



**Jib Configuration: L32 with maximum hook reach of 14 m at 0°**

Hook Reach	3	12.87	13	14										
Reeving	Capacities (kg)													
SM1	2,000	2,000	2,000	2,000										
SM	2,000	2,000	2,000	2,000										
DM	4,000	4,000	3,950	3,600										

Maximum Hook Heights at Jib Tip: H = 21.3 m  
Maximum Hook Heights at Jib Foot: H = 20.8 m



**Jib Configuration: L28 with maximum hook reach of 14 m at 0°**

Hook Reach	3	12.87	13	14										
Reeving	Capacities (kg)													
SM1	2,000	2,000	2,000	2,000										
SM	2,000	2,000	2,000	2,000										
DM	4,000	4,000	3,950	3,600										

Maximum Hook Heights at Jib Tip: H = 21.3 m  
Maximum Hook Heights at Jib Foot: H = 20.8 m

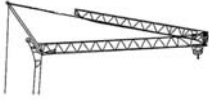
Igo 36

THIS CHART IS ONLY A GUIDE AND SHOULD NOT BE USED TO OPERATE THE CRANE. The individual crane's load chart, operating instructions and other instructional plates must be read and understood prior to operating the crane.



# metric load charts

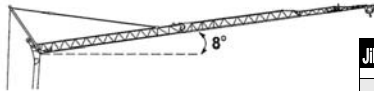
15



**Jib Configuration: L25 with maximum hook reach of 45'-11" at 0°**

Hook Reach	3	12.87	13	14						
Reeving	Capacities (kg)									
SM1	2,000	2,000	2,000	2,000						
SM	2,000	2,000	2,000	2,000						
DM	4,000	4,000	3,950	3,600						

Maximum Hook Heights at Jib Tip: H = 21.3 m  
Maximum Hook Heights at Jib Foot: H = 20.8 m



**Jib Configuration: L32 with maximum hook reach of 32 m at 8°**

Hook Reach	3	18.3	19	19.5	20	21	22	23	24	25	26	27	28	29	29	31	31.7
Reeving	Capacities (kg)																
SM1	2,000	2,000	2,000	2,000	1,939	1,830	1,729	1,640	1,558	1,485	1,415	1,351	1,295	1,240	1,190	1,143	1,100
SM	2,000	2,000	1,910	1,854	1,798	1,685	1,589	1,505	1,425	1,355	1,290	1,228	1,175	1,121	1,073	1,029	1,000

Maximum Hook Heights at Jib Tip: H = 24.7 m  
Maximum Hook Heights at Jib Foot: H = 20.8 m



**Jib Configuration: L28 with maximum hook reach of 28 m at 8°**

Hook Reach	3	19.8	20	20.8	21	22	23	24	25	26	27	28
Reeving	Capacities (kg)											
SM1	2,000	2,000	2,000	2,000	1,975	1,868	1,770	1,684	1,605	1,530	1,462	1,400
SM	2,000	2,000	1,973	1,883	1,860	1,755	1,660	1,575	1,500	1,425	1,360	1,300

Maximum Hook Heights at Jib Tip: H = 24.2 m  
Maximum Hook Heights at Jib Foot: H = 20.8 m



**Jib Configuration: L25 with maximum hook reach of 24.8 m at 8°**

Hook Reach	3	20.7	21	21.6	22	23	24	24.8
Reeving	Capacities (kg)							
SM1	2,000	2,000	2,000	2,000	1,960	1,860	1,768	1,700
SM	2,000	2,000	1,963	1,893	1,854	1,755	1,666	1,600

Maximum Hook Heights at Jib Tip: H = 23.8 m  
Maximum Hook Heights at Jib Foot: H = 20.8 m



**Jib Configuration: L32 with maximum hook reach of 13.9 m at 8°**

Hook Reach	3	13.9							
Reeving	Capacities (kg)								
SM1	2,000	2,000							
SM	2,000	2,000							

Maximum Hook Heights at Jib Tip: H = 22.2 m  
Maximum Hook Heights at Jib Foot: H = 20.8 m

THIS CHART IS ONLY A GUIDE AND SHOULD NOT BE USED TO OPERATE THE CRANE. The individual crane's load chart, operating instructions and other instructional plates must be read and understood prior to operating the crane.

Igo 36

# metric load charts

16



**Jib Configuration: L28 with maximum hook reach of 13.9 m at 8°**

Hook Reach	3	13.9	Capacities (kg)							
Reeving										
SM1	2,000	2,000								
SM	2,000	2,000								

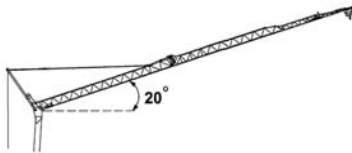
Maximum Hook Heights at Jib Tip: H = 22.2 m  
Maximum Hook Heights at Jib Foot: H = 20.8 m



**Jib Configuration: L25 with maximum hook reach of 13.9 m at 8°**

Hook Reach	3	13.9	Capacities (kg)							
Reeving										
SM1	2,000	2,000								
SM	2,000	2,000								

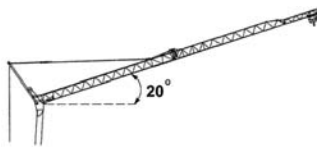
Maximum Hook Heights at Jib Tip: H = 22.2 m  
Maximum Hook Heights at Jib Foot: H = 20.8 m



**Jib Configuration: L32 with maximum hook reach of 30.2 m at 20°**

Hook Reach	3	30.2	Capacities (kg)							
Reeving										
SM1	1,100	1,100								
SM	1,000	1,000								

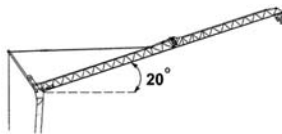
Maximum Hook Heights at Jib Tip: H = 30.8 m  
Maximum Hook Heights at Jib Foot: H = 20.8 m



**Jib Configuration: L28 with maximum hook reach of 26.5 m at 20°**

Hook Reach	3	26.5	Capacities (kg)							
Reeving										
SM1	1,100	1,100								
SM	1,000	1,000								

Maximum Hook Heights at Jib Tip: H = 29.4 m  
Maximum Hook Heights at Jib Foot: H = 20.8 m



**Jib Configuration: L25 with maximum hook reach of 23.67 m at 20°**

Hook Reach	3	23.67	Capacities (kg)							
Reeving										
SM1	1,100	1,100								
SM	1,000	1,000								

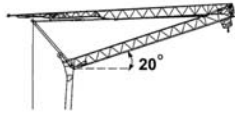
Maximum Hook Heights at Jib Tip: H = 28.4 m  
Maximum Hook Heights at Jib Foot: H = 20.8 m

Igo 36

THIS CHART IS ONLY A GUIDE AND SHOULD NOT BE USED TO OPERATE THE CRANE. The individual crane's load chart, operating instructions and other instructional plates must be read and understood prior to operating the crane.

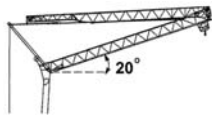
# metric load charts

17



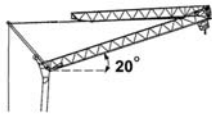
Jib Configuration: L32 with maximum hook reach of 13.3 m at 20°									
Hook Reach	3		13.3						
Reeving	Capacities (kg)								
SM1	1,100	1,100							
SM	1,000	1,000							

Maximum Hook Heights at Jib Tip: H = 24.6 m  
Maximum Hook Heights at Jib Foot: H = 20.8 m



Jib Configuration: L28 with maximum hook reach of 13.3 m at 20°									
Hook Reach	3		13.3						
Reeving	Capacities (kg)								
SM1	1,100	1,100							
SM	1,000	1,000							

Maximum Hook Heights at Jib Tip: H = 24.6 m  
Maximum Hook Heights at Jib Foot: H = 20.8 m



Jib Configuration: L25 with maximum hook reach of 13.3 m at 20°									
Hook Reach	3		13.3						
Reeving	Capacities (kg)								
SM1	1,100	1,100							
SM	1,000	1,000							

Maximum Hook Heights at Jib Tip: H = 24.6 m  
Maximum Hook Heights at Jib Foot: H = 20.8 m

## Jib Configurations

- L32 (105 ft / 32 m) = standard jib with first (10 ft / 3 m) and second jib extension (13 ft / 4 m)
- L28 (92 ft / 28 m) = standard jib with first jib extension (10 ft / 3 m)
- L25 (82 ft / 25 m) = standard jib

## Reeving Abbreviations

- SM1 = 2-part line configuration with section of hookblock removed
- SM = 2-part line configuration with section of hookblock stowed at jib
- DM = 4-part line configuration

THIS CHART IS ONLY A GUIDE AND SHOULD NOT BE USED TO OPERATE THE CRANE. The individual crane's load chart, operating instructions and other instructional plates must be read and understood prior to operating the crane.

Igo 36

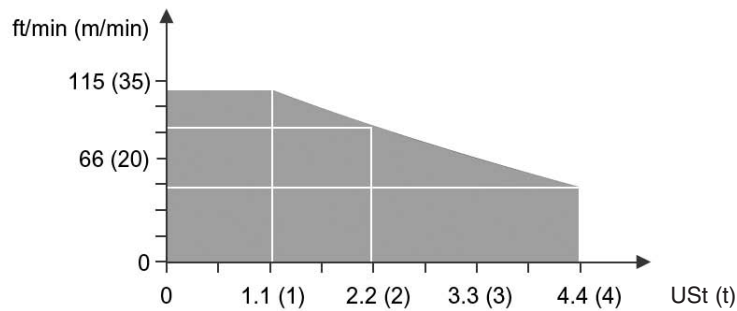
# mechanical data

18

		🔧					🔧					HP	kW	
⬆️	15 LVF 10 Optima	ft/min	12	59	98	161	217						15	11
		(m/min)	(3.6)	(18)	(30)	(49)	(66)							
		lb	4,409	4,409	4,409	2,425	1,102							
		(kg)	(2,000)	(2,000)	(2,000)	(1,100)	(500)							
		ft/min	12	59	98	161	217	6	29	49	89	108		
		(m/min)	(3.6)	(18)	(30)	(54)	(66)	(1.8)	(8.9)	(15)	(27)	(33)		
		lb	4,409	4,409	4,409	2,204	1,102	8,818	8,818	8,818	4,409	2,204		
		(kg)	(2,000)	(2,000)	(2,000)	(1,000)	(500)	(4,000)	(4,000)	(4,000)	(2,000)	(1,000)		
⬅️➡️	3 DVF 5	ft/min	62 - 135									3	2.2	
		(m/min)	19 - 41											
🌀	RVF+ 41	RPM	0 → 0.8									4	3	

CEI 38	🔧	IEC 38	kVA
480 V (+6%-10%) 60 Hz			15 LVF 10 : 22 kVA

15 LVF 10 Optima



## Warning Systems

**Limit Moment Cut-Out** – Prevents a moment that is more than +10%.

## Warning

1. The operator must read and understand the owner's manual before operating this crane.
2. Positioning or operation of crane beyond areas shown is not intended or approved except where specified in owner's manual.
3. Practical working loads depend on supporting surface, wind, and other factors affecting stability such as hazardous surroundings, experience of personnel, and proper handling, all of which must be taken into account by the operator.

Igo 36

THIS CHART IS ONLY A GUIDE AND SHOULD NOT BE USED TO OPERATE THE CRANE. The individual crane's load chart, operating instructions and other instructional plates must be read and understood prior to operating the crane.

# symbols glossary



Jib



Mast



Anemometer



Swing



Outrigger



Chassis



Hydraulic Equipment



Controls



Electrical Requirement



Ballast



Transport Axle



Ballasting Derrick



Reeving



Hoist



Trolley



Jib Extension

## Regional Headquarters

### Americas

Manitowoc, Wisconsin, USA

Tel: +1 920 684 6621

Fax: +1 920 683 6278

Shady Grove, Pennsylvania, USA

Tel: +1 717 597 8121

Fax: +1 717 597 4062

## Regional Offices

### Americas

#### Brazil

Alphaville

Tel: +55 11 4688 2716

Fax: +55 11 4191 1471

#### Mexico

Monterrey

Tel: +52 81 8124 0128

Fax: +52 81 8124 0129

### Europe, Middle East, Africa

#### Algeria

Hydra

Tel: +21 3 21 48 1173

Fax: +21 3 21 48 1454

#### Czech Republic

Netvorice

Tel: +420 317 78 9313

Fax: +420 317 78 9314

#### France

Baudemont

Tel: +33 385 28 2589

Fax: +33 385 28 0430

Cergy

Tel: +33 130 31 3150

Fax: +33 130 38 6085

Decines

Tel: +33 472 81 5000

Fax: +33 472 81 5010

#### Germany

Langenfeld

Tel: +49 21 73 8909-0

Fax: +49 21 73 8909 30

#### Hungary

Budapest

Tel: +36 13 39 8622

Fax: +36 13 39 8622

#### Italy

Parabiago

Tel: +390 331 49 3311

Fax: +390 331 49 3330

### Europe, Middle East, Africa

Ecully, France

Tel: +33 472 18 2020

Fax: +33 472 18 2000

#### Netherlands

Breda

Tel: +31 76 578 3999

Fax: +31 76 578 3978

#### Poland

Warsaw

Tel: +48 22 843 3824

Fax: +48 22 843 3471

#### Portugal

Alfena

Tel: +351 229 69 8840

Fax: +351 229 69 8848

Lisbon

Tel: +351 212 109 340

Fax: +351 212 109 349

#### Russia

Moscow

Tel: +7 495 641 2359

Fax: +7 495 641 2358

#### U.A.E.

Dubai

Tel: +971 4 3381 861

Fax: +971 4 3382 343

#### U. K.

Middlesex

Tel: +44 1 895 43 0053

Fax: +44 1 895 45 9500

Sunderland

Tel: +44 191 522 2000

Fax: +44 191 522 2052

### Asia – Pacific

#### Australia

Melbourne

Tel: +61 3 9 336 1300

Fax: +61 3 9 336 1322

Sydney

Tel: +61 2 9 896 4433

Fax: +61 2 9 896 3122

### Asia – Pacific

Shanghai, China

Tel: +86 21 51113579

Fax: +86 21 51113578

Singapore

Tel: +65 6264 1188

Fax: +65 6862 4142

#### China

Beijing

Tel: +86 10 58674761

Fax: +86 10 58674760

Xi'an

Tel: +86 29 87891465

Fax: +86 29 87884504

#### Korea

Seoul

Tel: +82 2 3439 0400

Fax: +82 2 3439 0405

#### Philippines

Makati City

Tel: +63 2 844 9437

Fax: +63 2 844 4712

#### Factories

U.S.A.

Manitowoc

Shady Grove

Brazil

Alphaville

France

Charlieu

La Clayette

Moulines

India

Calcutta

Puna

Italy

Niella Tanaro

Germany

Wilhelmshaven

Portugal

Fânzeres

China

Zhangjiagang